

P-1

MADERA™ ELONGATED 10" ROUGH

- Flush valve toilet
- Vitreous china
- Low-consumption (6.0 Lpf/1.6 gpf)
- 10" roughing-in
- Elongated bowl
- Direct-fed siphon jet action
- Fully glazed 2-1/8" trapway
- 11" x 13" water surface area
- 1-1/2" top spud
- 2 bolt caps
- 100% factory flush tested

2234.015 Elongated bowl only, top spud

Component Parts:

- 047007-0070A Inlet spud (furnished with bowl)
- 481310-100 Bolt caps with retainers (furnished with bowl)



Nominal Dimensions:

768 x 381 x 359mm
(30-1/4" x 15" x 14-1/8")

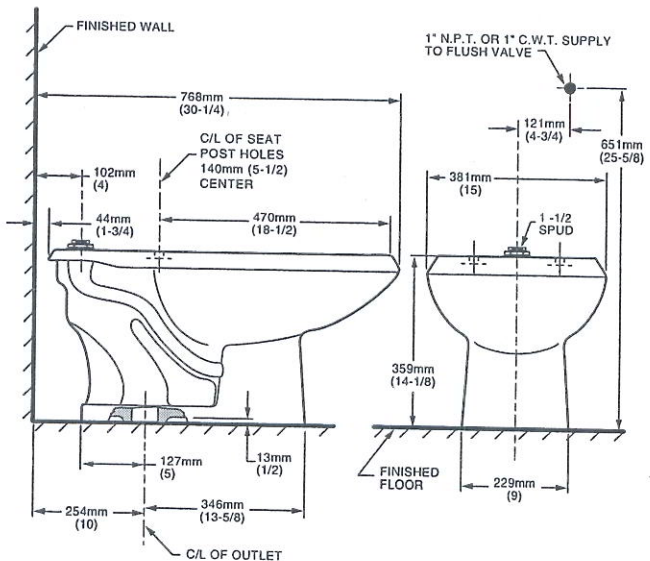
Recommended working pressure – between
25 psi at valve when flushing and 80 psi static

Fixture only, less seat, bolt caps and flush valve

Compliance Certifications -

Meets or Exceeds the Following Specifications:

- ASME A112.19.2 for Vitreous China Fixtures



To Be Specified:

- Color: White Bone Silver Linen
- Seat: Olsonite #95 open front seat less cover
- Seat: Church #9500C open front seat less cover
- Alternate Seat:
- Flush Valve: Sloan Royal #111
- Alternate Flush Valve:
- 6065161.002 Selectronic Valve (1.6 GPF Toilet)

NOTES:

PRODUCT 2234.015 SHOWN, 2234.137 SAME AS EXCEPT WITH SLOTTED RIM FOR BED PAN HOLDING. TO COMPLY WITH AREA CODE GOVERNING THE HEIGHT OF VACUUM BREAKER ON FLUSH VALVE, THE PLUMBER MUST VERIFY DIMENSIONS SHOWN FOR SUPPLY ROUGHING. FLUSH VALVE NOT INCLUDED AND MUST BE ORDERED SEPARATELY. THIS TOILET IS DESIGNED TO ROUGH-IN AT A MINIMUM DIMENSION OF 254MM (10") FROM FINISHED WALL TO C/L OF OUTLET.

IMPORTANT: Dimensions of fixtures are nominal and may vary within the range of tolerances established by ANSI Standard A112.19.2. These measurements are subject to change or cancellation. No responsibility is assumed for use of superseded or voided pages.

P-1A

American Standard

MADERA™ 17"H ELONGATED FLUSH VALVE TOILET

VITREOUS CHINA

BARRIER FREE

MADERA™ 17"H ELONGATED 10" ROUGH

- Vitreous china
- Low-consumption (6.0 Lpf/1.6 gpf)
- 10" roughing-in
- 17" rim height
- Elongated bowl
- Direct-fed siphon jet action
- Fully glazed 2" ballpass trapway
- 11" x 13" water surface area
- 1-1/2" top spud
- 2 bolt caps
- 100% factory flush tested

- 3043.102 Top spud
- 3043.156 Top spud with slotted rim for bedpan holding (white only)

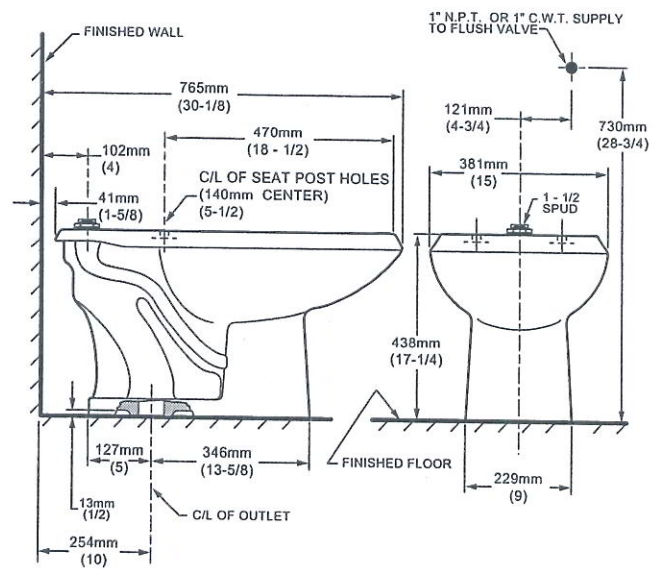
Nominal Dimensions:
765 x 381 x 438mm (30-1/8" x 15" x 17-1/4")

Recommended working pressure--between 25 psi at valve when flushing and 80 psi static

Fixture only, less seat and bolt caps

Compliance Certifications - Meets or Exceeds the Following Specifications:

- ASME A112.19.2M (and 19.6M) for Vitreous China Fixtures - includes Flush Performance, Ball Pass Diameter, Trap Seal Depth and all Dimensions



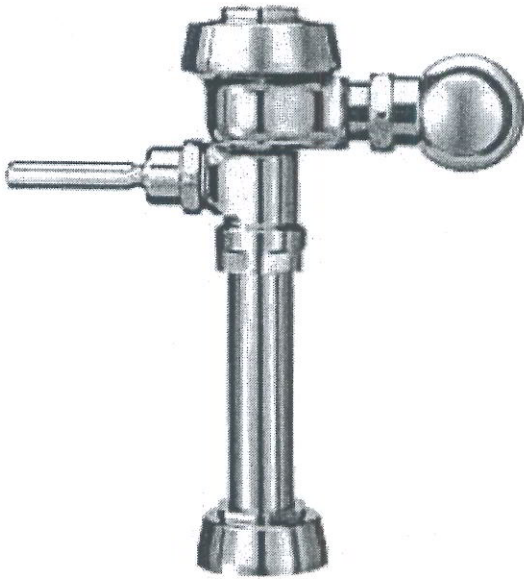
- To Be Specified
- Color: White Bone Silver Black Shell
 - Seat: Olsonite #95 open front seat less cover
 - Seat: Church #9500C open front seat less cover
 - Alternate Seat:
 - Flush Valve: Sloan Royal #111
 - Alternate Flush Valve:

NOTES:
 PRODUCT 3043.102 SHOWN, 3043.156 SAME AS EXCEPT WITH SLOTTED RIM FOR BED PAN HOLDING.
 THIS TOILET IS DESIGNED TO ROUGH-IN AT A MINIMUM DIMENSION OF 254MM (10") FROM FINISHED WALL TO C/L OF OUTLET.
 TO COMPLY WITH AREA CODE GOVERNING THE HEIGHT OF VACUUM BREAKER ON FLUSH VALVE, THE PLUMBER MUST VERIFY DIMENSIONS SHOWN FOR SUPPLY ROUGHING.
 FLUSH VALVE NOT INCLUDED AND MUST BE ORDERED SEPARATELY.
 IMPORTANT: Dimensions of fixtures are nominal and may vary within the range of tolerances established by ANSI Standard A112.19.2.
 These measurements are subject to change or cancellation. No responsibility is assumed for use of superseded or voided pages.

● When installed so top of seat is 432 to 483mm (17" to 19") from the finished floor.
 MEETS THE AMERICAN DISABILITIES ACT GUIDELINES AND ANSI A117.1 REQUIREMENTS FOR ACCESSIBLE AND USEABLE BUILDING FACILITIES-CHECK LOCAL CODES.

SPS 3043

P-1 + P-1A



Royal® Model Flushometer

110
111

- ▶ **Description**
Exposed Water Closet Flushometer, for floor mounted or wall hung top spud bowls.
- ▶ **Flush Cycle**
 - Model 110 Water Saver (3.5 gpf/13.2 Lpf)
 - Model 111 Low Consumption (1.6 gpf/6.0 Lpf)
- ▶ **Specifications**
Quiet, Exposed, Diaphragm Type, Chrome Plated Closet Flushometer with the following features:
 - PERMEX™ Synthetic Rubber Diaphragm with Dual Filtered Fixed Bypass
 - ADA Compliant Metal Oscillating Non-Hold-Open Handle with Triple Seal Handle Packing
 - 1" I.P.S. Screwdriver Bak-Chek™ Angle Stop
 - Free Spinning Vandal Resistant Stop Cap
 - Adjustable Tailpiece
 - High Back Pressure Vacuum Breaker Flush Connection with One-piece Bottom Hex Coupling Nut
 - Spud Coupling and Flange for 1½" Top Spud
 - Sweat Solder Adapter with Cover Tube and Cast Set Screw Wall Flange
 - High Copper, Low Zinc Brass Castings for Dezincification Resistance
 - Non-Hold-Open Handle, Fixed Metering Bypass and No External Volume Adjustment to Ensure Water Conservation
 - Flush Accuracy Controlled by CID™ Technology
 - Diaphragm, Handle Packing, Stop Seat and Vacuum Breaker to be molded from PERMEX™ Rubber Compound for Chloramine Resistance

Valve Body, Cover, Tailpiece and Control Stop shall be in conformance with ASTM Alloy Classification for Semi-Red Brass. Valve shall be in compliance to the applicable sections of ASSE 1037, ANSI/ASME 112.19.6, and Military Specification V-29193.

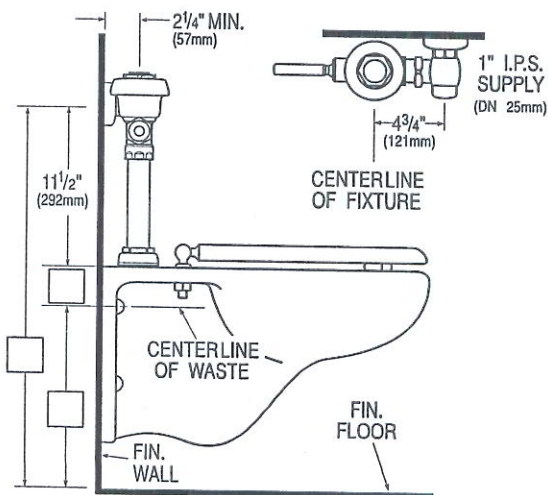
Variations

- HL-3 3" Metal Oscillating Push Button on Front of Valve (does not meet ADA requirements)
- TP Trap Primer
- YG Extended Bumper on Angle Stop (for seat with cover)
- YO Bumper on Angle Stop (for open front seat without cover)

See Accessories Section of the Sloan catalog for details on these and other Flushometer variations.



Listed by I.A.P.M.O.



This space for Architect/Engineer approval

The information contained in this document is subject to change without notice.

SLOAN®

Made in the U.S.A.
SLOAN VALVE COMPANY • 10500 SEYMOUR AVE. • FRANKLIN PARK, IL. 60131
Ph: 1-800-9-VALVE-9 or 1-847-671-4300 • Fax: 1-800-447-8329 or 1-847-671-4380
<http://www.sloanvalve.com>

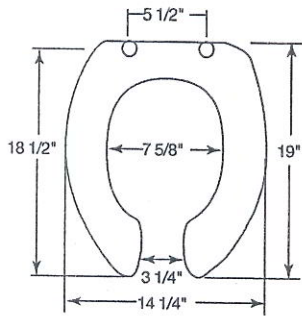


COMMERCIAL PLASTIC SEATS

P-1 + P-1A

MODEL 9500C

- ELONGATED SEAT, OPEN FRONT LESS COVER
- SOLID PLASTIC
- CONCEALED CHECK STAINLESS STEEL HINGES

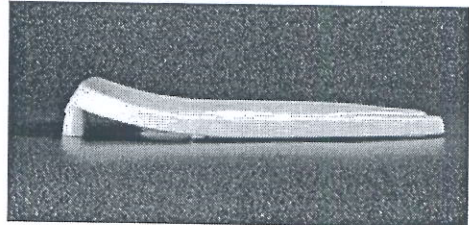
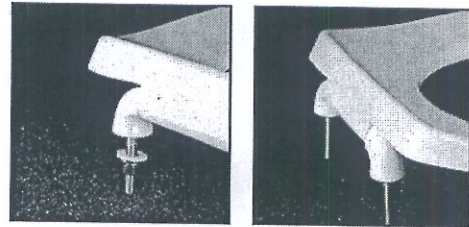
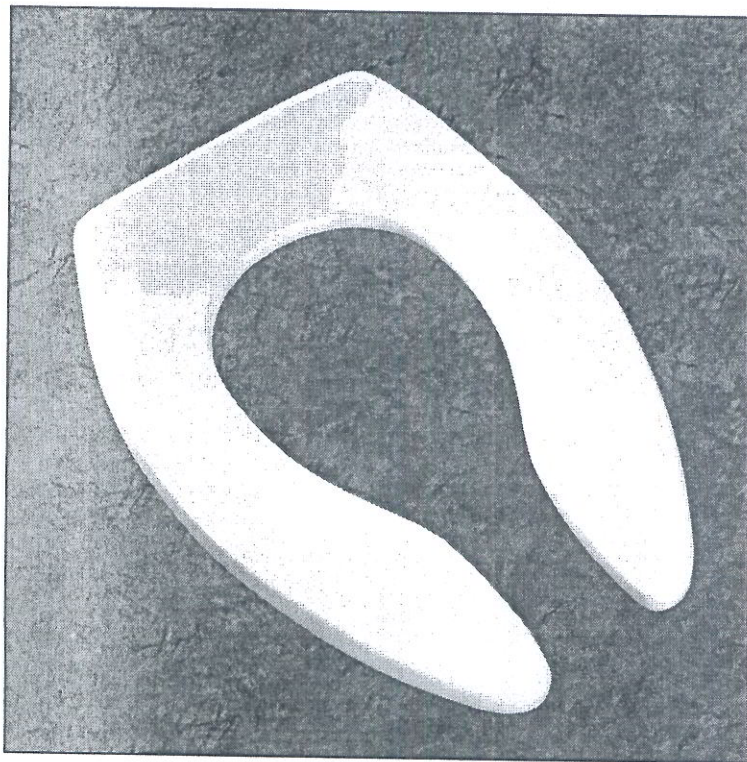


Ring thickness is 1"
 Ring thickness including the bumper is 1-3/16"

Seats shall be No. 9500C as manufactured by Church Seats. Seats shall be extra heavy weight and injection molded of solid plastic. Seats shall be open front less cover for elongated bowl and feature large molded-in bumpers. Concealed check hinges to feature 300 Series stainless steel posts that stop seat 11 degrees beyond vertical. Uses 300 Series stainless steel hardware. Color to be _____. (specify white or fixture manufacturer's color) Hinges shall be _____. (specify hinge type)

9500C Concealed check hinge stops seat 11° beyond vertical.
 9500SSC Self-sustaining, concealed stainless steel check hinge holds seat in any raised position up to 11° beyond vertical.

** ANSI Z124.5 section 5.1.2 Tests have shown that this product will support weights up to 500 pounds.** (Contact Church Seat Co., for test data)

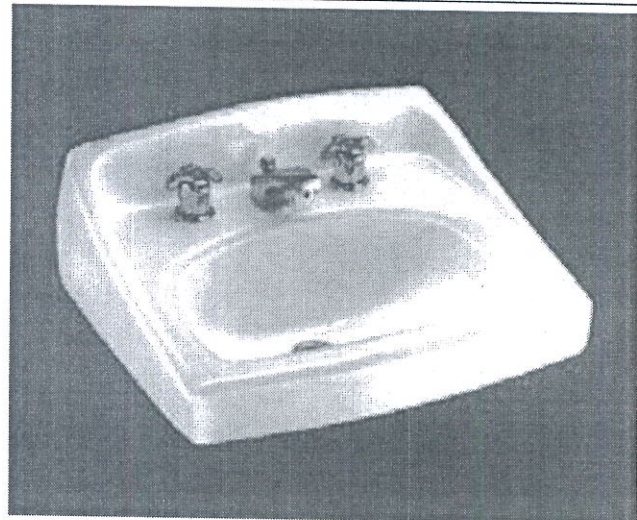




LUCERNE™ WALL-HUNG LAVATORY

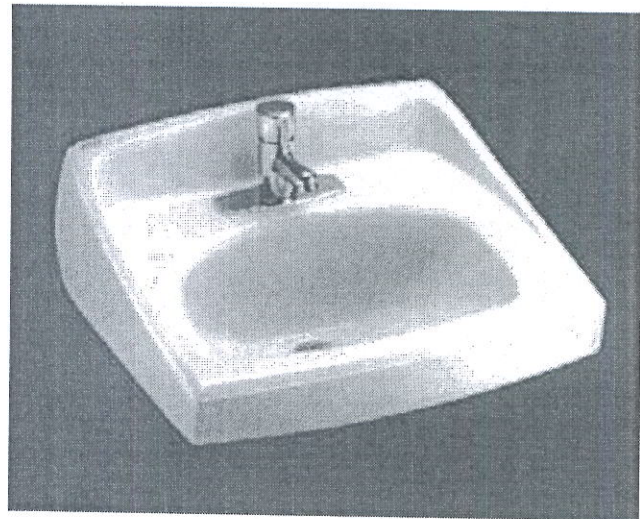
- Vitreous china
- Front overflow
- D-shaped bowl
- Self-draining deck area with contoured back and side splash shields
- Faucet ledge

- Faucet holes on 203mm (8") centers (Illus.):**
- 0356.028 For exposed bracket support
Shown with 4801.862 Amarilis Heritage faucet with Triune Cross handles (not included)
 - 0356.015 For wall hanger (included) or concealed arms support
 - 0356.037 For wall hanger (included) or concealed arms support
 - Extra right-hand hole
 - 0356.073 For wall hanger (included) or concealed arms support
 - Extra left-hand hole



0356.028

- Faucet holes on 102mm (4") centers:**
- 0355.027 For exposed bracket support
 - 0355.012 For wall hanger (included) or concealed arms support
 - 0355.034 For wall hanger (included) or concealed arms support
 - Extra right-hand hole
 - 0355.056 For wall hanger (included) or concealed arms support
 - Extra left-hand hole



0356.041

- Single center faucet hole (Illus.):**
- 0356.041 for exposed bracket support
Shown with 1340.000 metering faucet (not included)
 - 0356.421 for wall hanger (included) or concealed arms support
 - 0356.137 For wall hanger (included) or concealed arms support
 - Extra right-hand hole
 - 0356.115 For wall hanger (included) or concealed arms support
 - Extra left-hand hole

Nominal Dimensions:
 521 x 464mm (20-1/2" x 18-1/4")

Bowl sizes:
 381mm (15") wide, 254mm (10") front to back,
 165mm (6-1/2") deep

Compliance Certifications -
 Meets or Exceeds the Following Specifications:
 • ASME A112.19.2 for Vitreous China Fixtures

Top of front rim mounted 864mm (34") from finished floor.
MEETS THE AMERICAN DISABILITIES ACT GUIDELINES AND ANSI A117.1 ACCESSIBLE AND USEABLE BUILDINGS AND FACILITIES - CHECK LOCAL CODES.

To Be Specified

Color: ~~White~~ Bone Silver Black
 Shell

Faucet*: Faucet Finish: *chrome*

Supplies: ~~1 1/2"~~ Trap:

Nipple:

Bracket Support (by others):

Concealed Arms Support (by others):

* See faucet section for additional models available

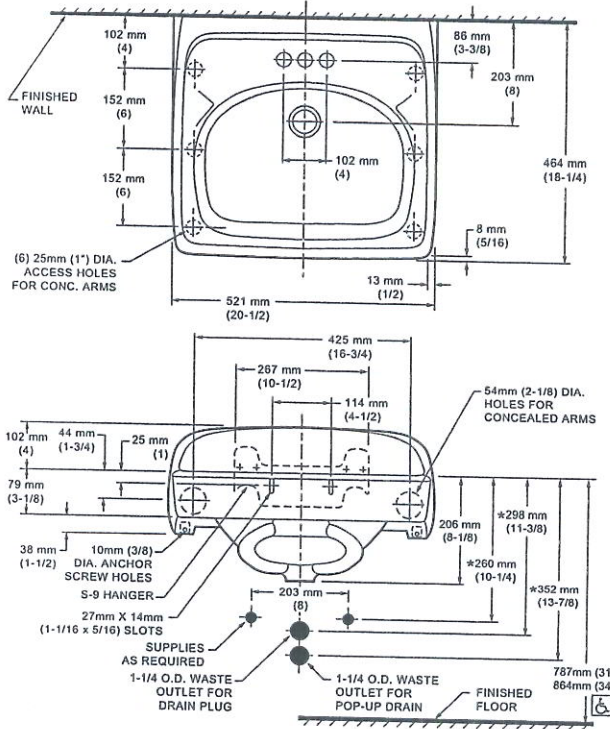
NOTE: Roughing-in information shown on reverse side of page

American Standard

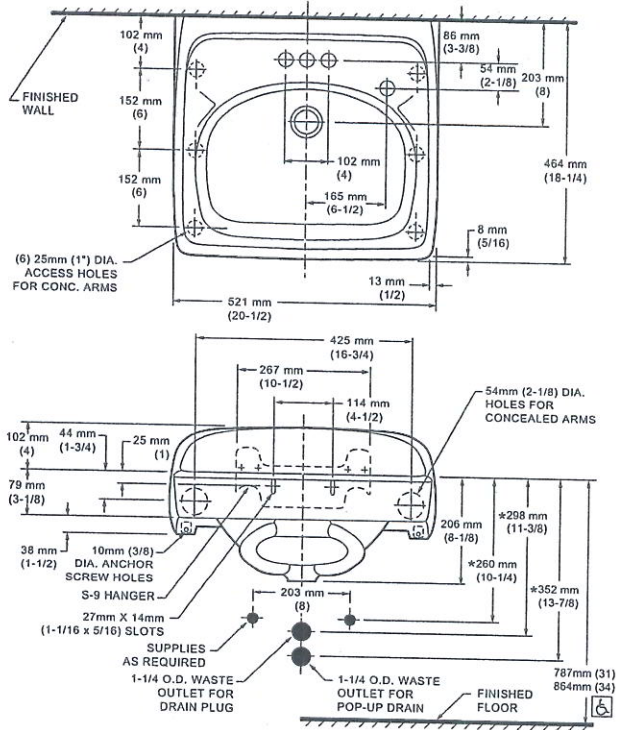
BARRIER FREE

LUCERNE™
WALL-HUNG LAVATORY
VITREOUS CHINA

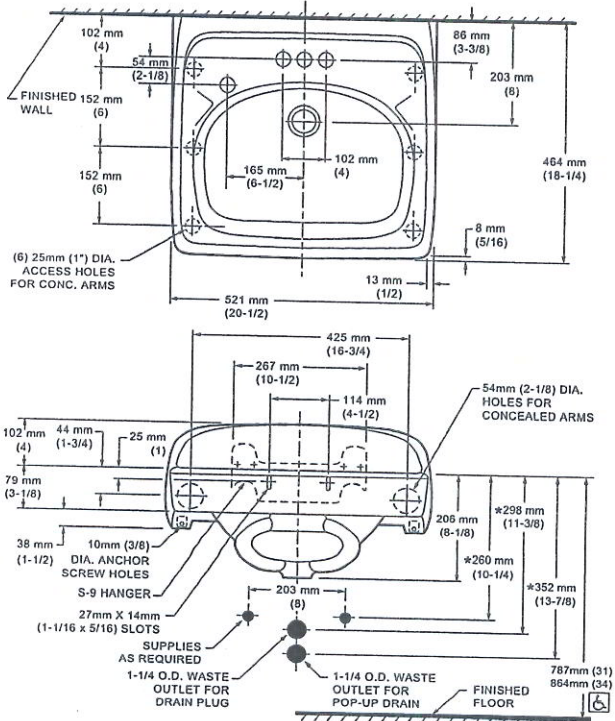
0355.012 4" CTRS FOR WALL HANGER OR CONCEALED ARMS



0355.034 4" CTRS FOR WALL HANGER OR CONCEALED ARMS
EXTRA RIGHT HAND HOLE



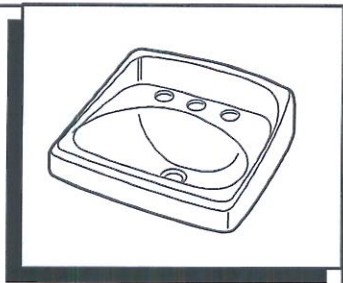
0355.056 4" CTRS FOR WALL HANGER OR CONCEALED ARMS
EXTRA LEFT HAND HOLE



NOTES:

* DIMENSIONS SHOWN FOR LOCATION OF SUPPLIES AND "P" TRAP ARE SUGGESTED.

LAVATORY DESIGNED TO MEET ADA HANDICAPPED GUIDELINES WITH MOUNTING HEIGHT SET AT 864MM (34") ABOVE FINISHED FLOOR. PROVIDE SUITABLE REINFORCEMENT FOR ALL WALL SUPPORTS. FITTINGS NOT INCLUDED AND MUST BE ORDERED SEPARATELY. CONCEALED ARM SUPPORT AS REQUIRED TO BE FURNISHED BY OTHERS. IMPORTANT: Dimensions of fixtures are nominal and may vary within the range of tolerances established by ANSI Standard A112.19.2. These measurements are subject to change or cancellation. No responsibility is assumed for use of superseded or voided pages.



Wall Hung Bathroom Sink

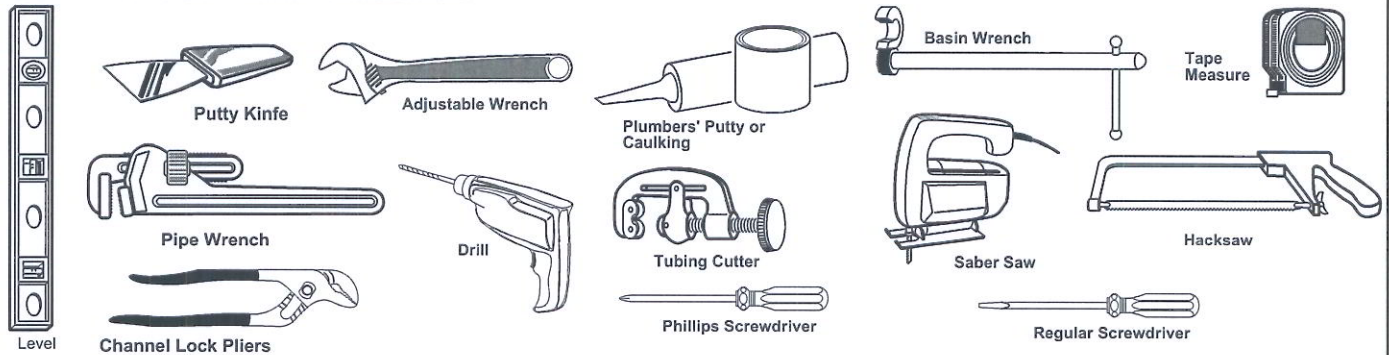
***NOTE:** For installation of models using concealed or exposed arms, follow instruction provided by arms manufacturer.

Introduction: Thank you for selecting our products...products which have been the benchmarks of fine quality for years. To help insure that the installation process will proceed smoothly, please read these instructions carefully before you begin. Also, review the recommended tools and materials list; carefully unpack and examine your new plumbing fixture.

⚠ CAUTION: PRODUCT IS FRAGILE. TO AVOID BREAKAGE AND POSSIBLE INJURY HANDLE WITH CARE!

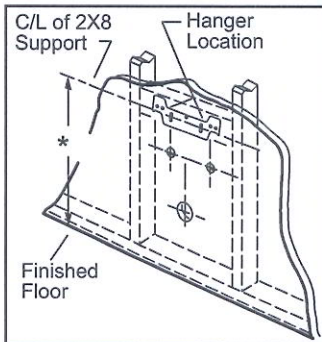
NOTE: Pictures may not exactly define contour of china and components.

Recommended Tools & Materials



1 Provide suitable reinforcement behind finished wall for lavatory hanger mounting screws. *Determine horizontal center line location of support from the table listed in Step 2. (Make sure support bottom extends to lavatory back wall bottom.)

NOTE: If replacing an existing sink be certain to shut off water supply before removing old sink.



3 Position hanger according to Step 2, making sure its center is aligned with the waste hole centerline. Mark the hanger screw locations through its mounting holes.

2 Determine the desired rim height (for example 32") then select from the Table at right the height of the hanger mounting bolts centerline

EXAMPLE:

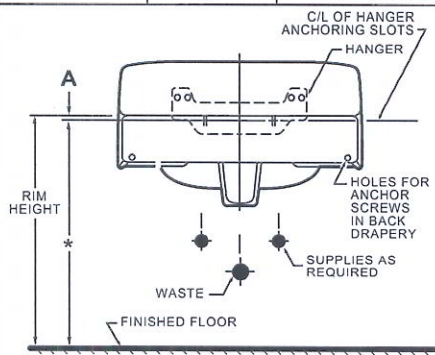
For Lucerne:

$32" - 1" = 31"$

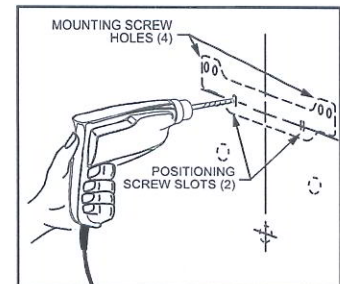
For Ledgewood:

$32" + 2-7/8" = 34-7/8"$

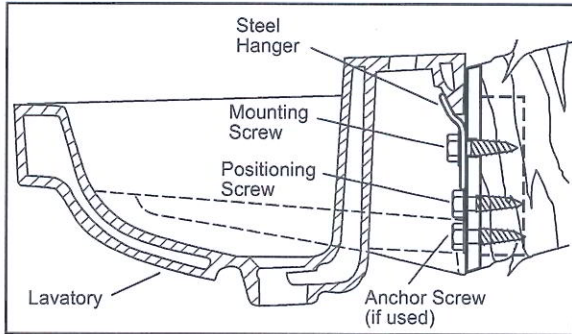
Part #	Model	Distance "A"
0124	Comrade	- 2-1/2" (64mm)
0321	Declyn	- 2-3/4" (70mm)
0355/0356	Lucerne	- 1" (25mm)
0372/0373	Penlyn	- 1/8" (3mm)
4300	Ledgewood	+ 2-7/8" (73mm)
4867/4869	Regalyn	+ 2-3/4" (70mm)
5300	Ledgemere	+ 2-1/2" (64mm)



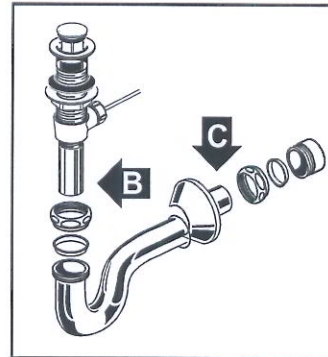
4 Drill pilot holes in positioning screw slots of hanger. (Note: Some models are supplied with anchor screws, or steel hangers for lavatory installations. Other models are not provided with mounting hardware which can be purchased at local hardware outlets. Lavator-ies with bottom anchor screw holes should be secured with anchor screws in addition to hangers.)



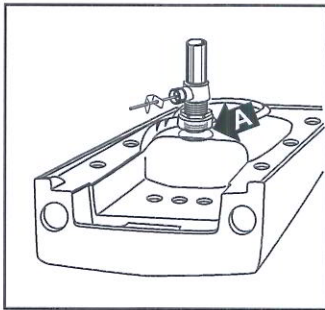
5 Affix hanger to wall (hand tighten only). Mount lavatory for positioning, level the deck, and mark bottom anchor screw holes (if applicable). Remove lavatory, tighten the hanger positioning screws and drill pilot holes for anchor screws and 4 mounting screws. Install and tighten the mounting screws.



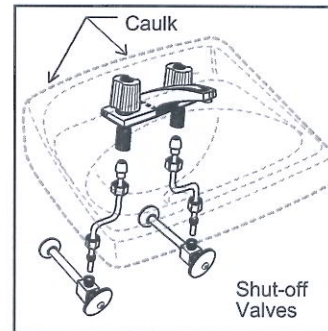
7 Return the fitted lavatory to the installed position. Connect trap to drain assembly hand tight to check alignment. It may be necessary to cut off part of the tailpiece (area "B") or part of the horizontal leg of the trap (area "C").



6 Following manufacturers instructions, install faucet and drain assembly. (Not included). Be certain to apply a bead of sealing putty on the underside of the drain (Part "A") in order to ensure a watertight seal between the lavatory and drain. Remove excess putty after installing drain on lavatory.



8 Secure lavatory on hanger as shown in 5. Insert and tighten anchor screws if applicable. Connect hot and cold supply lines to the shut-off valves. Tighten trap joints for watertight assembly. Apply a bead of caulk around the edge which contacts the wall as shown.



American Standard

Ideal Standard

Inesa Standard

Sadona Standard

Cedelca

Saniwares

AMERICAN STANDARD ONE-YEAR LIMITED WARRANTY

If inspection of this American Standard plumbing product, within one year after its initial installation, confirms that it is defective in materials or workmanship, American Standard will repair or, at its option, exchange the product for a similar model.

This limited warranty **does not apply** to local building code compliance; since local building codes vary considerably, the purchaser of this product should check with a local building or plumbing contractor to insure local code compliance before installation.

This warranty **shall be void** if the product has been moved from its initial place of installation; if it has been subjected to faulty maintenance, abuse, misuse, accident or other damage; if it was not installed in accordance with American Standard's instructions; or if it has been modified in a manner inconsistent with the product as shipped by American Standard.

American Standard's option to repair or exchange the product under this warranty does not cover any labor or other costs of removal or installation, **nor shall American Standard be responsible for any other incidental or consequential damages attributable to a product defect or to the repair or exchange of a defective product, all of which are expressly excluded from this warranty.** (Some states or provinces do not allow the exclusion or limitation of implied warranties, so this exclusion may not apply to you.)

This warranty gives you specific legal rights. You may have other statutory rights that vary from state to state or from province to province, in which case this warranty does not affect such statutory rights.

For service under this warranty, it is suggested that a claim be made through the contractor or dealer from or through whom the product was purchased, or that a service request (including a description of the product model and of the defect) be sent to the following address:

In the United States:

American Standard, Inc.
One Centennial Ave.
Piscataway, New Jersey 08855
Attention: Director of Consumer Affairs

Toll Free: (800) 442-1902

In Canada:

American Standard, Inc.
2480 Stanfield Rd.,
Mississauga, Ontario
Canada L4Y 1S2
Toll Free: (800) 387-0369

In Mexico:

Customer Service Manager
American Standard, Inc.
Via Morelos #330
Col. Santa Clara
Ecatepec 55540 Edo. Mexico



P-3A

SCOT® S-60-H

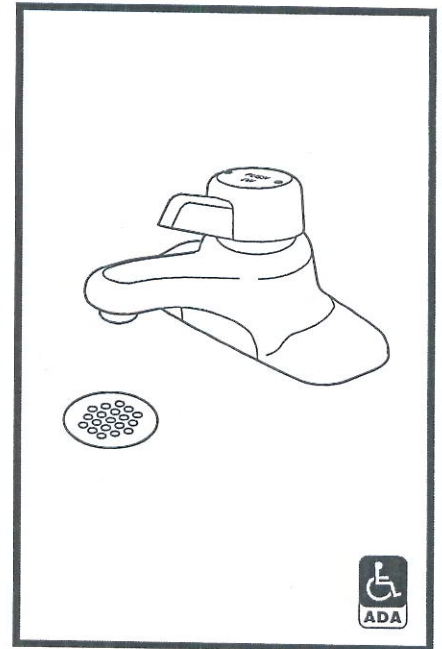
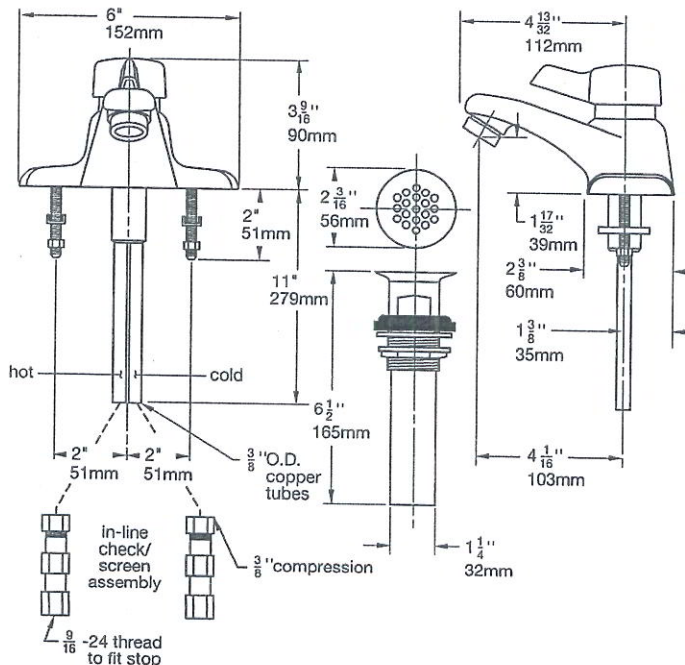
Slow-Closing Omni Temperature Lavatory Faucet

SCOT metering/temperature selection lavatory faucet with blade type handle for handicap accessible applications (replaces S-60 knob style handle). Cast brass 4" centerset with temperature limit stop to adjust outlet temperature and time limit stop to adjust flow time, includes (2) in-line check/screen assemblies. Spray outlet with 0.5 gpm flow rate. Vandal resistant.

- S-60-H: Faucet only
- S-60-G-H: With grid strainer drain assembly
- S-60-P-H: With pop-up drain assembly
- S-60-1-H: With lift rod only

Modifications: Add suffix to model number

- Suffix A: Vandal resistant aerator in place of 0.5 gpm spray outlet (1.25 GPM at 50 PSI)
- Suffix 1.5: 1.5 GPM (5.7 L/min) flow rate restrictor
- Suffix NA: Non-aerated laminar flow outlet
- Suffix IPS: 1/2" IPS connectors
- Suffix STE: Supply tube extensions, 8" with compression couplings
- Suffix DP: Adaptor plate for 8" center installations
- Suffix OFG: Offset grid strainer



**SYMMONS PRODUCTS MEET
ANSI A112.18.1M, EPA '92
AND ALL KNOWN FLOW RATE
REQUIREMENTS.
Metering Faucets
0.25 gallons per cycle (1.0 L/cycle)**

Job/Location

.....
.....

Engineer

.....
.....

Contractor

.....
.....

For ADA compliance (Americans with Disabilities Act) consult ADAAG or your state regulations for proper product choice and mounting locations.

Symmons Industries, Inc. ■ 31 Brooks Drive ■ Braintree, MA 02184
(800) 796-6667, (781) 848-2250 ■ Fax (800) 961-9621, (781) 843-3849
Website: www.symmons.com ■ Email: customerservice@symmons.com

©2003, 2008 Symmons Industries, Inc. Printed in U.S.A. ■ 050108





McGUIRE MFG. CO., INC.

60 Grandview Court
 P.O. Box 746 ♣ Cheshire, CT 06410
 203-699-1801 ♣ Fax 203-699-1813

Part No.

170, 170LK, 171, 171LK

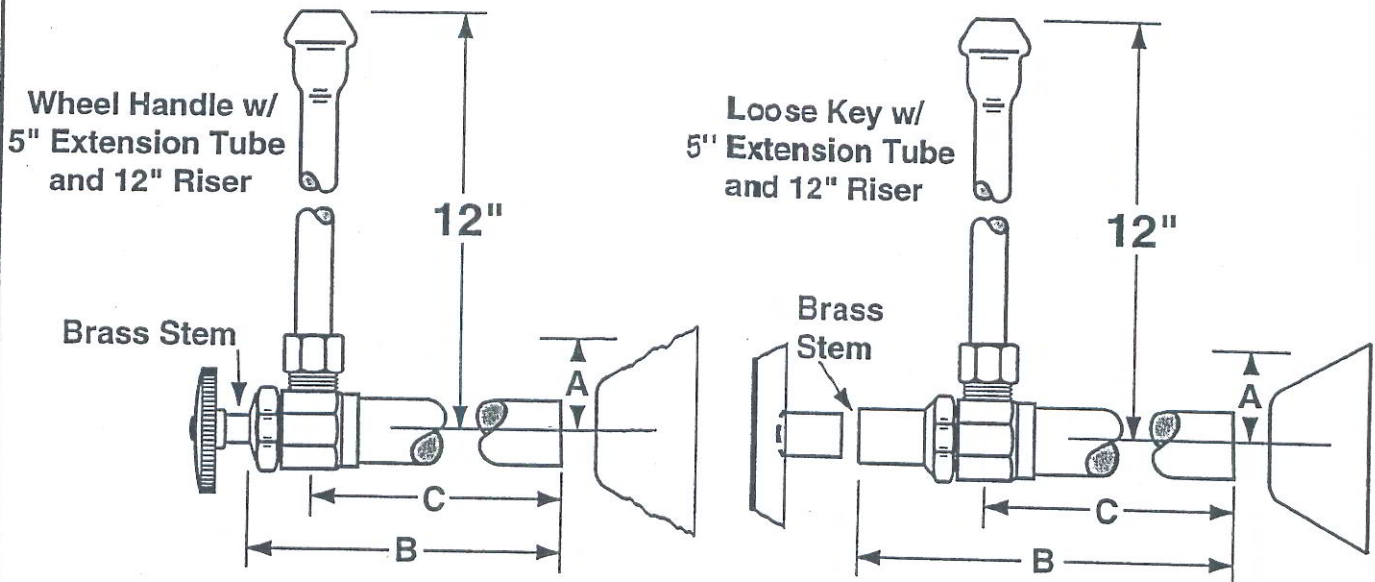
Sweat Lavatory Supply
 With 5" Extension

Product Specification

Job Name: _____

Submittal Number: _____

P-3A



NO.	ROUGHING MEASUREMENTS	A	B	C
170	1/2" Sweat x 3/8" O.D.	1	6-1/4"	5-1/2"
170LK	1/2" Sweat x 3/8" O.D.	1	7"	5-1/2"
171	1/2" Sweat x 1/2" O.D.	1	6-1/4"	5-1/2"
171LK	1/2" Sweat x 1/2" O.D.	1	7"	5-1/2"

LK designates *Loose Key*



See accessories section for details on product variations.

Specifications:

Supply kit shall include chrome plated brass stops with full turn brass stem, no plastic, (12, 15, 20) inch chrome plated copper risers and (shallow, deep, bell) (steel, brass) or (forged brass with set screw) flange. Inlet shall be (3/8, 1/2) inch (IPS, sweat, compression). Outlet shall be (3/8, 1/2) inch (IPS, compression). Supply kit shall be McGuire_____. Supply kit shall be certified by CSA or other recognized testing authority and bear manufacturer and testing mark. Stop to be certified to 200 psi line pressure.



McGUIRE MFG. CO., INC.

60 Grandview Court
 P.O. Box 746 ♣ Cheshire, CT 06410
 203-699-1801 ♣ Fax 203-699-1813

Part No.

8872, 8902, 8912, 8903, 8904

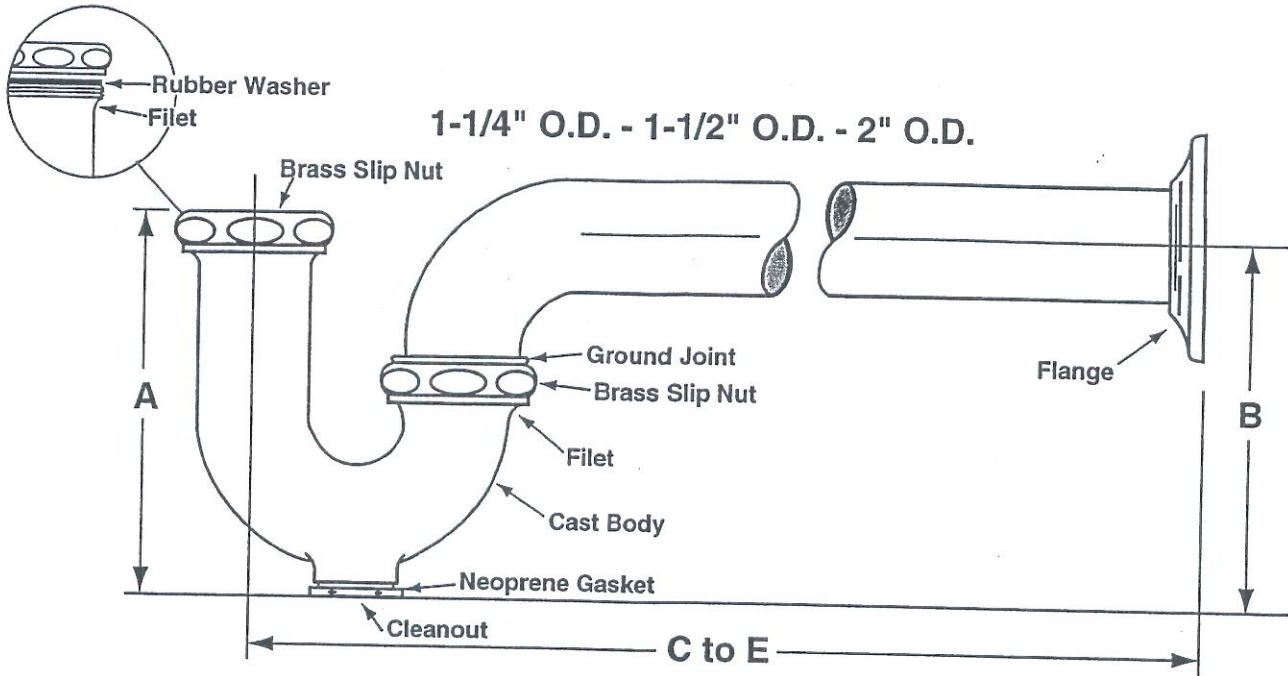
Cast Body P-Trap
 With Cleanout

Product Specification

Job Name:

Submittal Number:

P-3A



Professional Line

NO.	ROUGHING MEASUREMENTS	A	B	C to E
	TRAP DIMENSIONS			
8872	1-1/4" - 17 G.A.	5"	4-1/2"	11"
8902	1-1/4" x 1-1/2" - 17 G.A.	5"	4-1/2"	12"
8912	1-1/2" - 17 G.A.	5"	4-1/2"	12"
8903	1-1/2" x 2" - 17 G.A.	5"	6"	13"
8904	2" x 2" - 17 G.A.	5"	6"	13"

FED SPEC W.W.P. 541
 CAST BRASS P TRAP
 MINIMUM SEAL 2"



See accessories section for details on product variations.

Specifications:

P-Trap shall be chrome plated cast brass body (with, without) cleanout, with 17 gauge seamless tubular wall bend, cast brass slip nuts. **No reducing washers.** With (shallow, deep, bell) (steel, brass) or (forged brass with set screw) flange. P-Trap shall be McGuire Premier Line (8872C, 8912C, 8902C, 8903, 8904)). Trap shall be certified by CSA or other recognized testing authority. P-Trap shall bear manufacturer and testing mark.



LAV GUARD²

FAST FIT UNDERSINK PIPING COVERS

P-3A

All New
E-Z Series

ADA-compliant undersink protection



Submittal Sheet

General Description:

LAV GUARD² E-Z Series waste and supply piping covers satisfy ADA compliance requirements. Built-in E-Z Grip internal fasteners and internal, E-Z Tear-To-Fit trimming feature allow for fast installation without tools. Series #100 E-Z kits are designed to fit on all tubular and cast brass P-trap assemblies. Series #400 kits are the "original" LAV GUARD design and fit schedule 40 ABS and PVC P-trap assemblies — regardless of their geometry or rotational offset. Valve cover completely encloses angle valve and supply tube for both handled and keyed type water stops.

Material	Molded vinyl
Nominal Wall	1/8" constant
Durometer	70-80 - Shore A
UV Protection	Will not fade or discolor
Durability	Virtually indestructible
Trimming (E-Z Series)	Internal, E-Z Tear-To-Fit trim feature
Fasteners (E-Z Series)	Internal E-Z Grip fasteners (reusable)
Color	China white
Paintability	Apply Latex paint
Burning Characteristics ASTM D-635	Self extinguished 0 sec (ATB) 0 mm (AEB)
Bacteria/Fungus Resistance	ASTM G21 and G22/ Result: 0 growth
Maintenance	Use common detergents

Manufactured under one or more of the following U.S. or Canadian patents. Other patents pending.
5,303,730 5,360,031 5,524,669 5,564,463 5,678,598 5,699,828 5,915,412
5,915,413 5,901,739 5,960,820 2,075,324 2,119,427 2,136,027 2,158,083

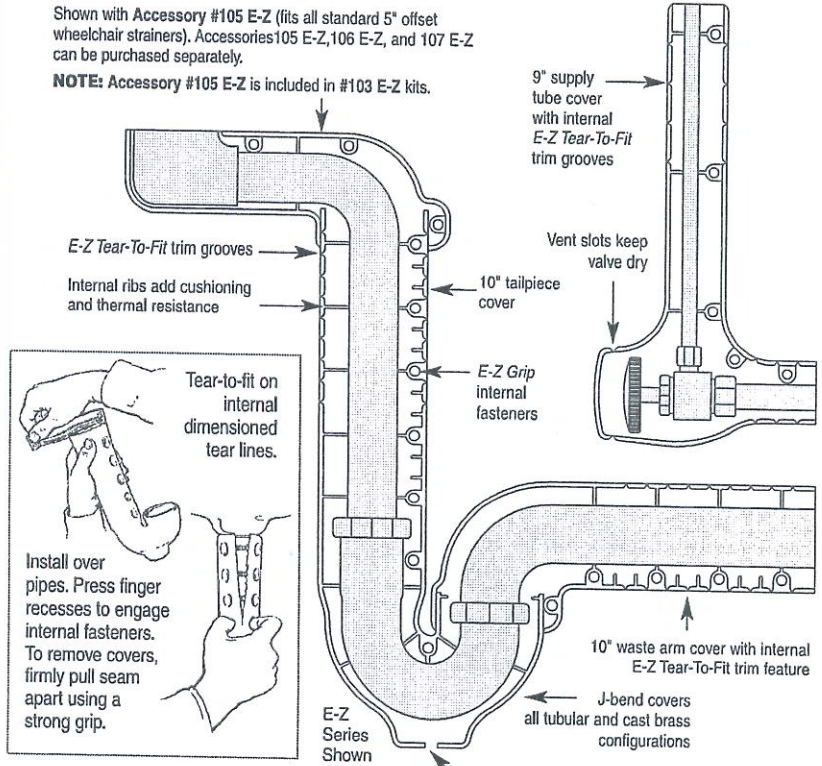


IPS Corporation, 202 Industrial Park Lane, Collierville, TN 38017
(901) 853-5001 (800) 340-5969 FAX: (901) 853-5008
e-mail: info@truebro.com Internet: http://www.truebro.com



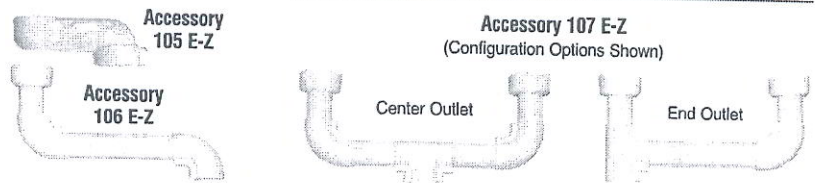
Shown with Accessory #105 E-Z (fits all standard 5" offset wheelchair strainers). Accessories #105 E-Z, #106 E-Z, and #107 E-Z can be purchased separately.

NOTE: Accessory #105 E-Z is included in #103 E-Z kits.



#100 E-Z Series (shown above right) for tubular and cast brass P-trap assemblies.
#400W* Series (original design) for schedule 40 P-trap assemblies.

<input type="checkbox"/> Model #99 E-Z One angle valve and supply cover	<input checked="" type="checkbox"/> Model #102 E-Z One P-trap cover, two angle valves and covers	<input type="checkbox"/> Accessory #105-K Kohler 6" offset
<input type="checkbox"/> Model #100 E-Z One P-trap cover	<input type="checkbox"/> Model #402W* One P-trap cover, two angle valves and covers	<input type="checkbox"/> Accessory #106 E-Z One basket strainer cover and offset waste cover (adjustable to 18")
<input type="checkbox"/> Model #400W* One P-trap cover	<input type="checkbox"/> Model #103 E-Z One P-trap cover, two angle valves and supply covers, one 5" offset tailpiece wheelchair strainer cover	<input type="checkbox"/> Accessory #107 E-Z Two basket strainer covers and center or end outlet waste cover (adjustable)
<input type="checkbox"/> Model #101 E-Z One P-trap cover, one angle valve cover	<input type="checkbox"/> Accessory #105 E-Z One 5" offset tailpiece wheelchair strainer assembly	<input type="checkbox"/> Accessory #Ex99 E-Z One 16" extension for water supply
<input type="checkbox"/> Model #401W* One P-trap cover, one angle valve cover	<small>*All #400W series items are the "original" LAV GUARD² design and construction. Specifications may change without notice.</small>	



Job/Location _____

Designer _____

TRUEBRO reserves the right to make product and material changes at any time without notice.

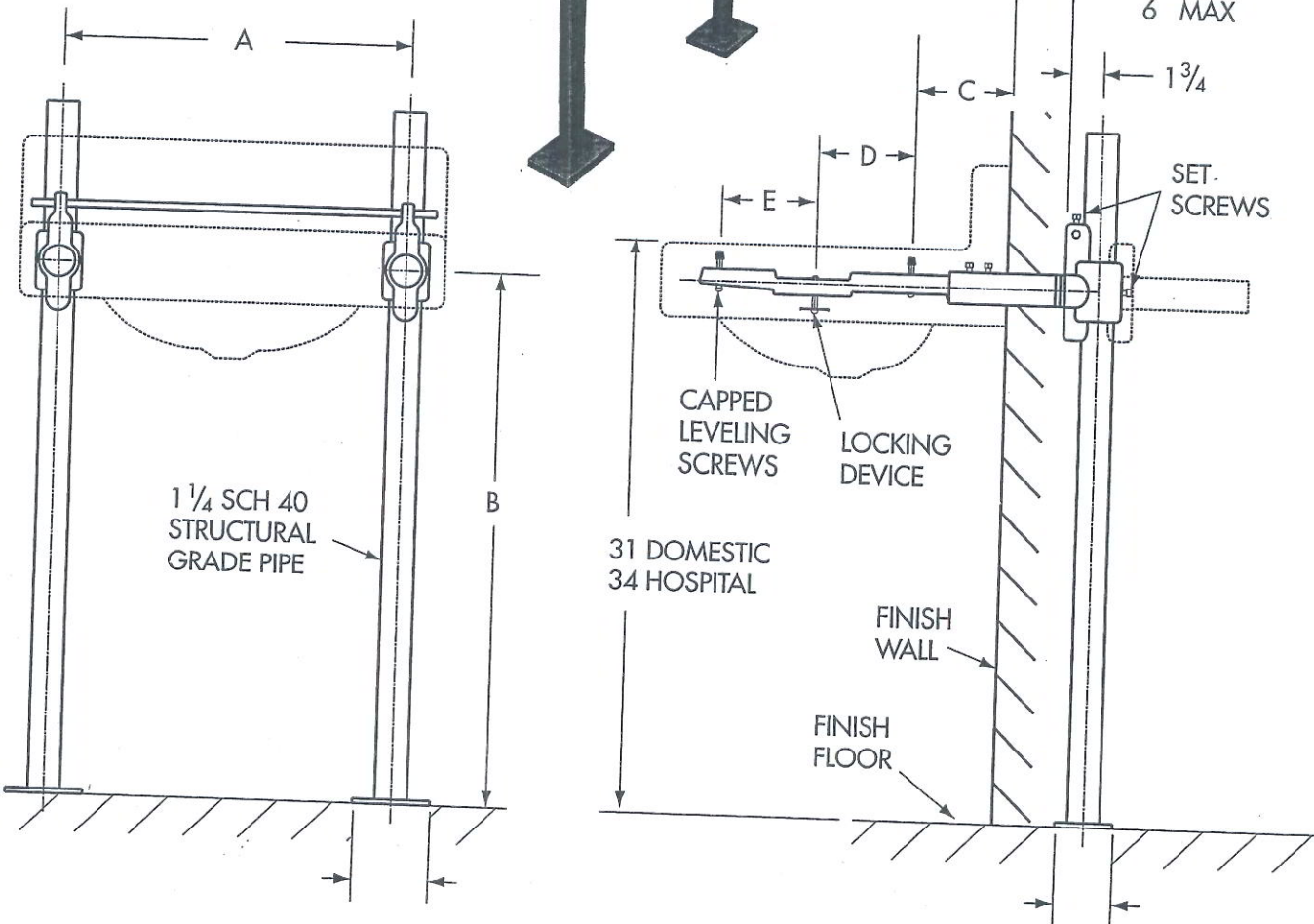
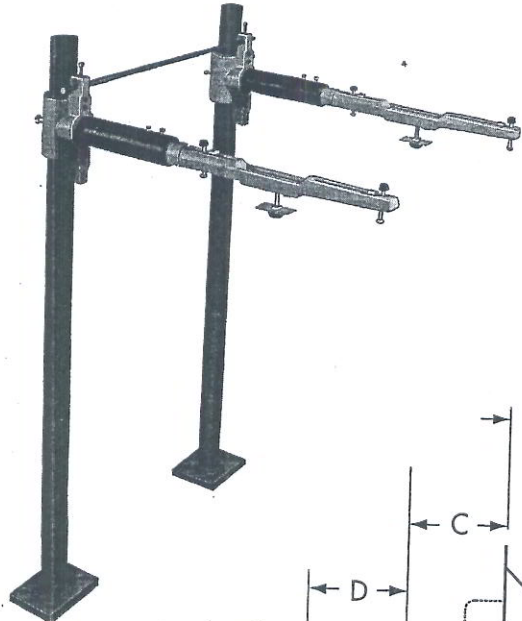
Lavatory Carriers

WADE

P-3A

520 Single concealed arm lavatory carrier with non-slip locking devices. For lavatories with back for walls up to 6" thick.

Letter Dimensions Vary According to Fixture Used.



Cat. No.	Type	Wt. Lbs.
<input checked="" type="checkbox"/> 520	Single	36
<input type="checkbox"/> 520D	Double	45

Note: Refer to carrier selector for applications to specific fixtures.
 Arm Suffixes: 05, 07, 08, 09. Refer to page 2-8 for details.

MODIFICATIONS

Suffix	Description
<input type="checkbox"/> M19	Eye bolts and hardware for C.I. lavatories
<input type="checkbox"/> M23	Escutcheons for slab type lavatories
<input type="checkbox"/> M24	Extended arm supports for wheelchair lavatories
<input type="checkbox"/> M25	Extra long rear leveling screws for high-back lavatories
<input type="checkbox"/> AM27	Valve support plate on upright
<input type="checkbox"/> M36	Unistrut Uprights

P-4 + P-4A

ELKAY[®]

SPECIFICATIONS

Celebrity[®] Single Bowl Sink Model GEGR2521 Series - A.D.A. Compliant

GENERAL

Designed and recommended for use with GE undersink dishwasher. Good quality Celebrity sink bowl seamlessly drawn of #20 gauge, type 304 (18-8) nickel bearing stainless steel. Self-rimming.

DESIGN FEATURES

Bowl Depth: 5-3/8".

Coved Corners: 3" vertical radius, 2-1/4" horizontal radius.

Bowl and Faucet Deck Recess: 3/16" below outside edge of sink.

Finish: Exposed surfaces are machine polished to a bright Celebrity finish.

Underside: Fully undercoated to dampen sound and prevent condensation.

OTHER

Drain Opening: 3-1/2" as illustrated.

Suffix "L" (left) or "R" (right) denotes drain opening located in left or right rear corner of bowl.

NOTE: Unless otherwise specified, sink is furnished with 3 faucet holes as shown.

These sinks comply with ANSI Standard A112.19.3M.

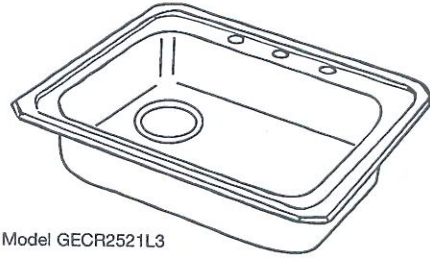
OPTIONAL ACCESSORIES

Rinsing Baskets: LKRB1520 and LKERBSS.

SINK DIMENSIONS (INCHES)*

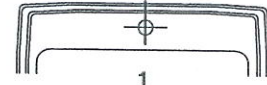
Model Number	Overall		Inside Bowl			Cutout in Countertop (1 1/2" Radius Corners)		No. of 1 1/2" Dia. Faucet Holes 4" Centers	3/2" Drain Opening	Minimum Cabinet Size	Ship. Wt. Lbs.
	L	W	L	W	D	L	W				
GEGR2521	25	21 1/4	21	15 3/4	5 3/8	24 3/8	20 5/8	1, 2, MR2, 3 or 4	Off-Center	30	10 3/4
GEGR2521L	25	21 1/4	21	15 3/4	5 3/8	24 3/8	20 5/8	1, 2, MR2, 3 or 4	Left	30	10 3/4
GEGR2521R	25	21 1/4	21	15 3/4	5 3/8	24 3/8	20 5/8	1, 2, MR2, 3 or 4	Right	30	10 3/4

*Length is left to right. Width is front to back.

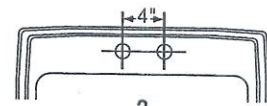


Model GEGR2521L3

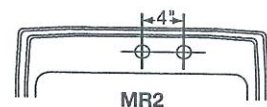
HOLE DRILLING CONFIGURATIONS



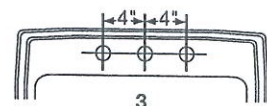
1



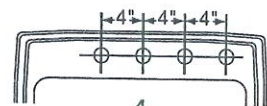
2



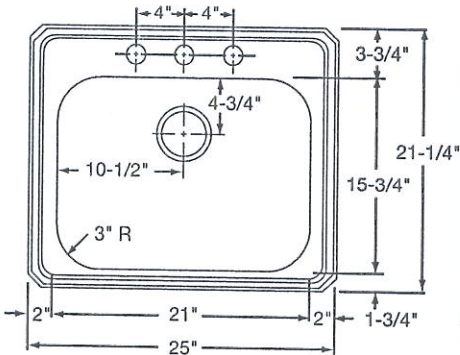
MR2



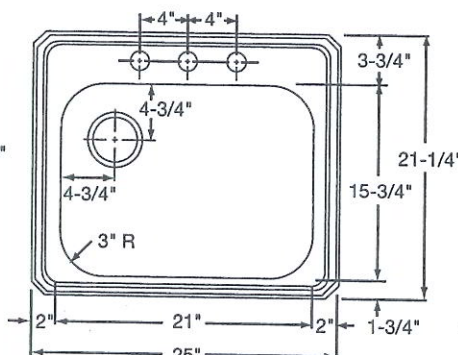
3



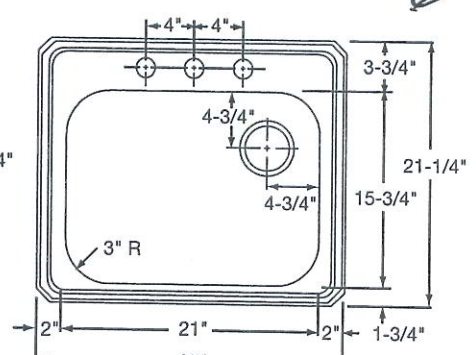
4



Model GEGR25213 Illustrated



Model GEGR2521L3 Illustrated



Model GEGR2521R3 Illustrated

THIS PRODUCT, AS CONSTRUCTED IS SUBJECT TO INTERPRETATION OF A.D.A. REQUIREMENTS. THE UNOBSTRUCTED KNEE SPACE REQUIRED TO SATISFY A.D.A. STANDARDS MAY NOT BE DESIRABLE.

ALL DIMENSIONS IN INCHES, TO CONVERT TO MILLIMETERS MULTIPLY BY 25.4.

In keeping with our policy of continuing product improvement, Elkay reserves the right to change product specifications without notice.

This specification describes an Elkay product with design, quality and functional benefits to the user. When making a comparison of other producers' offerings, be certain these features are not overlooked.

ELKAY[®]

SPECIFICATIONS

P-4 + P-4A

Dual Handle Kitchen Faucet Model LKD232SBH5

GENERAL

LKD232SBH5 Concealed mount dual handle gooseneck faucet. Brass handles. Gooseneck 70° restricted swing spout with aerator. Overall height: 12-7/8". Finished in heavy chrome plate that exceeds U.S. government specifications. Removable cartridge. All operating parts are replaceable from above deck. Requires 1/2" I.P. connections on 8" centers. Requires three faucet holes. Ship. Wt. 5-1/2 lbs.

Maximum Countertop Thickness: 1-1/8" (29mm).

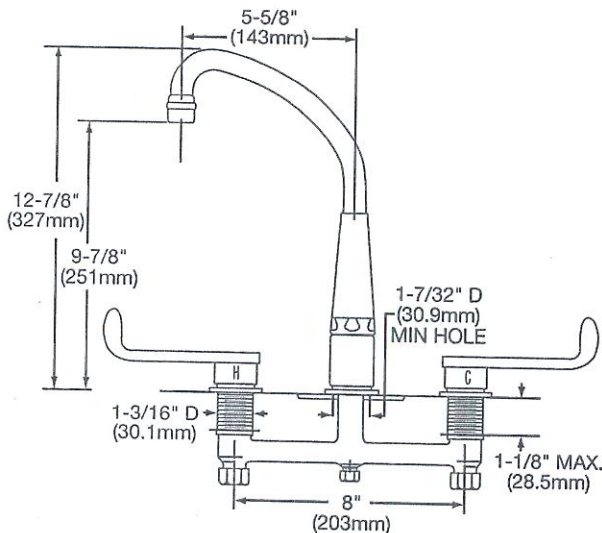
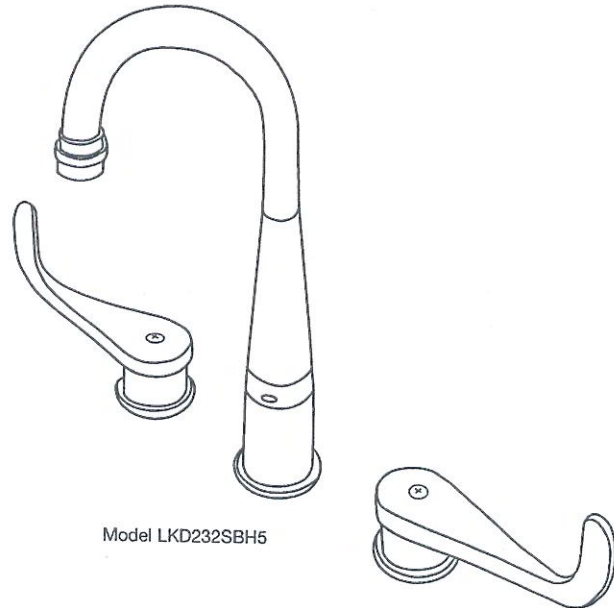
COMPLIES WITH:

ASME A112.18.1M
CSA B125-01
NSF/ANSI 61
ADA



MAXIMUM FLOW RATE

2.5 GPM/9.5 L/min AT 80 P.S.I.G.
2.2 GPM/8.3 L/min AT 60 P.S.I.G.



ELKAY LIMITED LIFETIME FAUCET WARRANTY ON RESIDENTIAL FAUCETS

Limited Lifetime Functional and Finish Warranty

Elkay warrants to the original consumer purchaser that the Elkay faucet purchased will be free from defects in material and workmanship for as long as the original consumer purchaser owns the faucet. Elkay will, at its option, supply replacement parts (or if no longer available a comparable product) if the faucet fails due to a defect in material or workmanship. This warranty does not apply in the event of product surface damage caused by abuse, misuse or improper care and maintenance. This warranty excludes damage caused by harsh or abrasive cleaners and/or materials. This warranty excludes all industrial, commercial and business use, whose purchasers are hereby extended a limited lifetime on mechanical parts and 5 years on finish. Product replacement does not include transportation cost or labor installation cost. Elkay reserves the right to examine product in question and its installation prior to replacement.

OTHER WARRANTY CONDITIONS ON FAUCETS

Our warranty does not cover product failure or damage caused by abusive treatment, misuse, environmental factors, improper care and cleaning, or damage due to handling or faulty installations. This warranty is extended only to the original consumer purchaser of the product. This warranty does not cover shipping costs, labor costs, or any other charges for such items as installation or replacement of the sink, diagnosis or replacement of any faucet or component part, or any other expense or loss.

All incidental or consequential damages are specifically excluded. No additional warranties, express or implied are given. Any implied warranty, including one of merchantability or fitness for a particular purpose, is limited to the duration of this written warranty.

Some states do not allow the exclusion or limitation of incidental or consequential damages or limitations on how long an implied warranty lasts, so the above limitations or exclusions may not apply to you.

This warranty gives you specific legal rights, and you may also have other rights which vary from state to state.

TO OBTAIN SERVICE UNDER WARRANTY

- Write to: Elkay
Attention: Consumer Services
2222 Camden Court
Oak Brook, IL 60523
- Include a letter containing the following information:
 - Date of purchase and installation
 - Description of nature of defect
 - Model number or description of model and/or component part if possible.

ELKAY[®]

SPECIFICATIONS

P-4 + P-4A

Sink Accessories 3-1/2" Drain LK35, LK35B and LK35L Models

GENERAL

Strainer basket and body made of type 304 (18-8) nickel bearing stainless steel. Conical strainer basket with flex stem and rubber stopper.

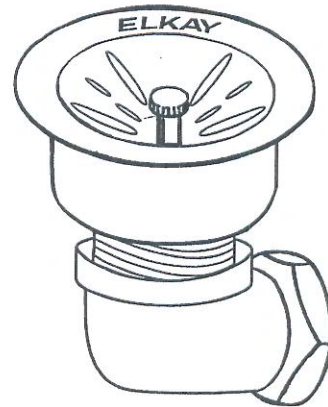
DESIGN FEATURES

Fit 3-1/2" openings, with overall top diameter of 4-1/2". No orientation for opening and closing needed.

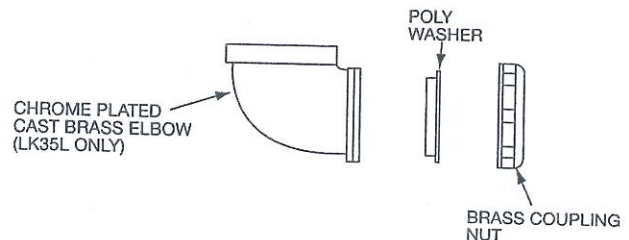
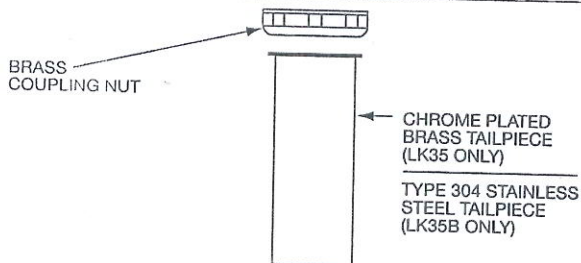
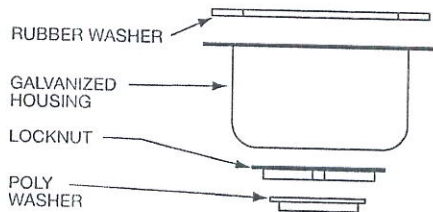
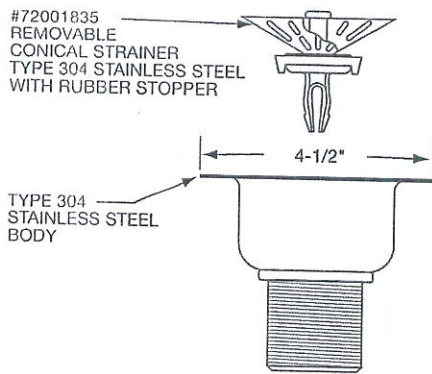
LK35 – Chrome plated brass tailpiece.

LK35B – Type 304 (18-8) nickel bearing stainless steel tailpiece.

LK35L – 90 degree – Chrome plated cast brass elbow.



Model LK35L



ALL DIMENSIONS IN INCHES, TO CONVERT TO MILLIMETERS MULTIPLY BY 25.4.

In keeping with our policy of continuing product improvement, Elkay reserves the right to change product specifications without notice.

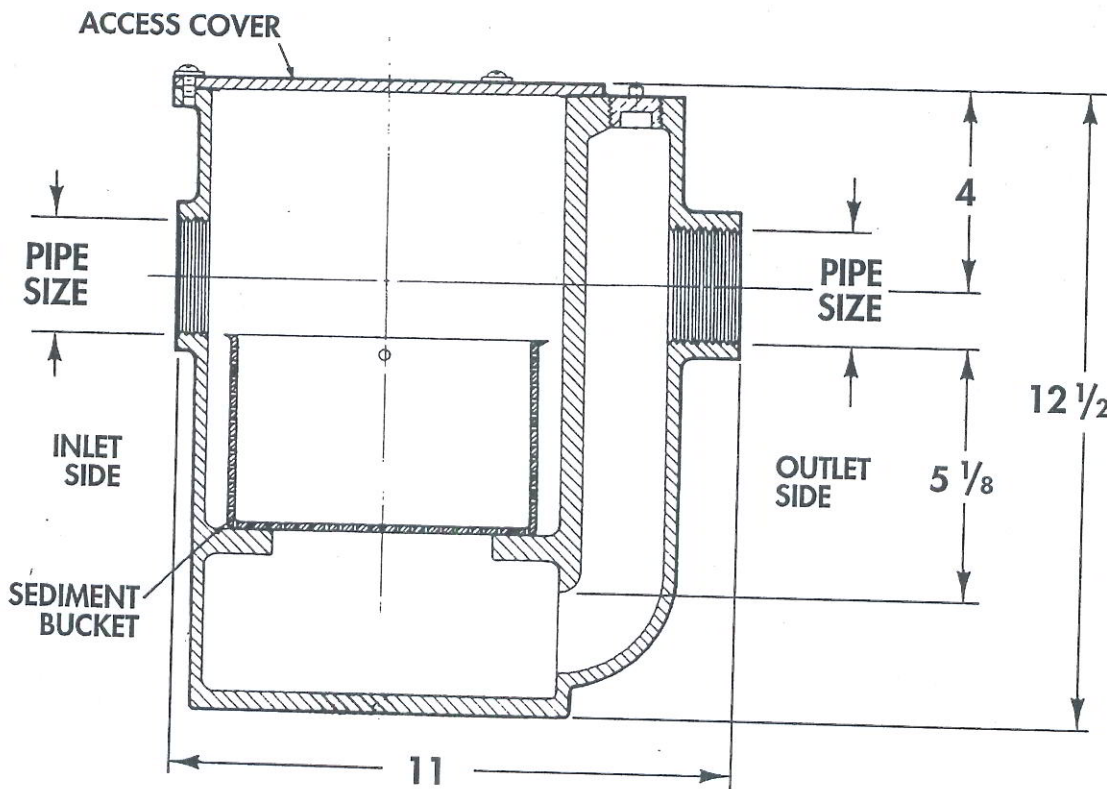
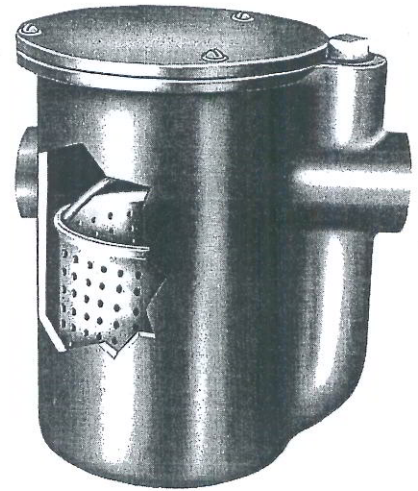
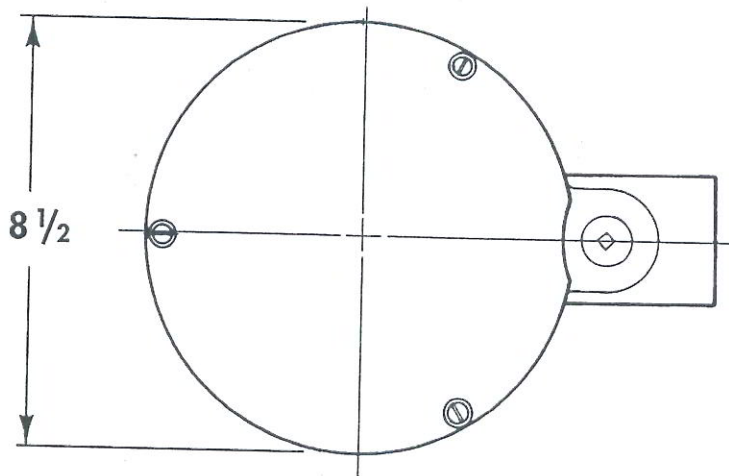
This specification describes an Elkay product with design, quality and functional benefits to the user. When making a comparison of other producers' offerings, be certain these features are not overlooked.

Solids Interceptors

WADE

P-4A

5740 Cast iron solids interceptor with white acid resisting coatings, internal deep seal trap, cleanout, removable perforated stainless steel sediment bucket with lift handle and gas tight cover.



Cat. No.	Pipe Size	Wt. Lbs.
5740	2	42

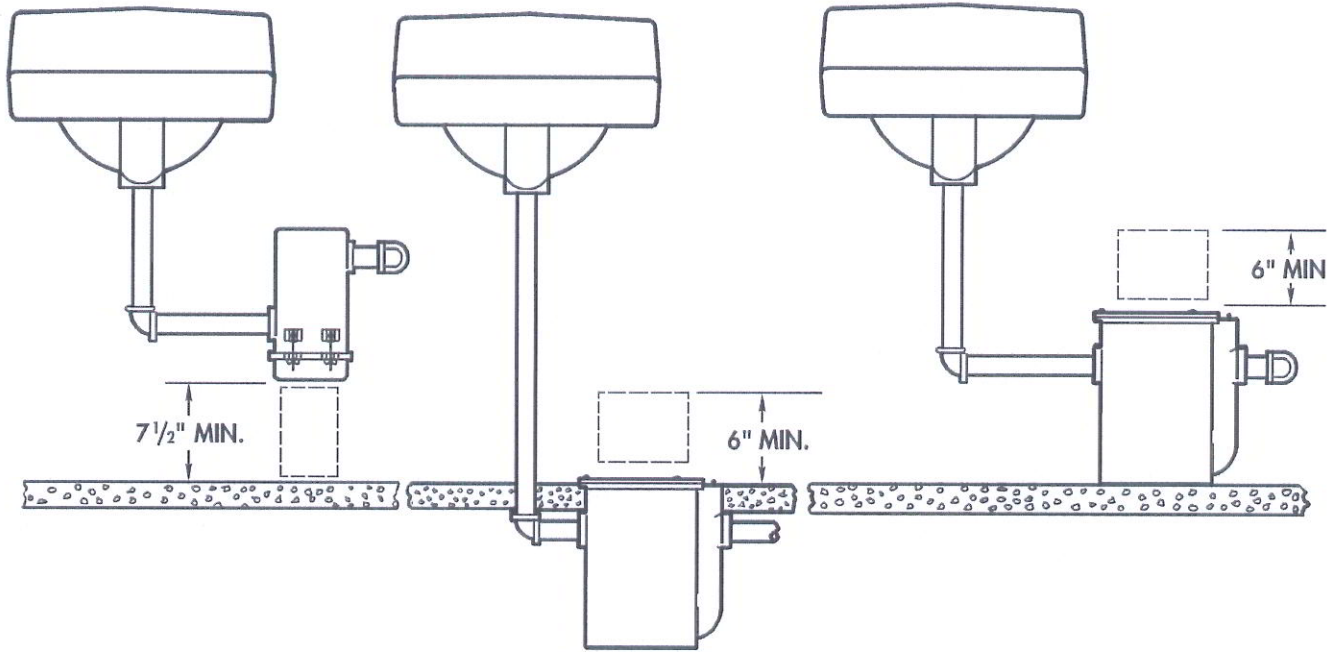
OUTLET

□ Thread Only

Typical Installations

WADE

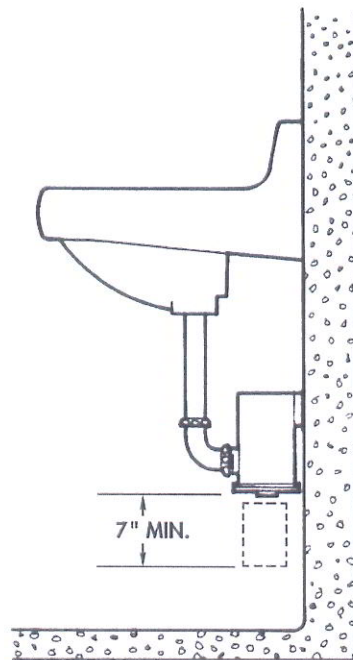
(Dotted area indicates approximate clearance required for maintenance.)



5730
Suspended
Installation

5740
In Floor
Installation

5740
On The Floor
Installation

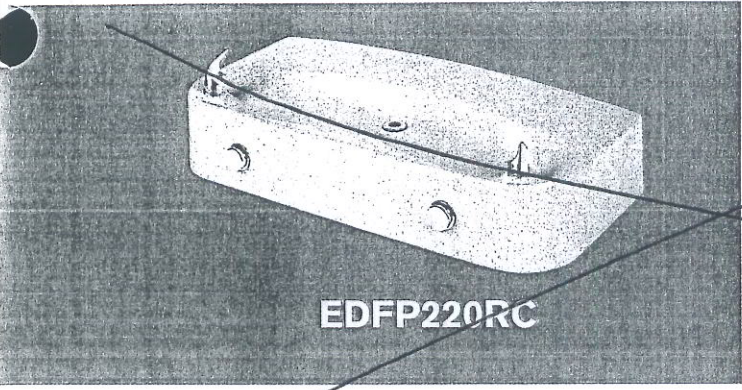


5750
Flush With
Wall Installation

P-5

NO LEAD DRINKING FOUNTAINS

Soft Sides® Single-Level Composites



EDFP220RC

DUAL STATION COMPOSITE DRINKING FOUNTAIN

Specifically designed to allow two individuals to drink simultaneously. It is constructed of a premium composite, solid surface material.

Standard Features

- **No Lead Design**-Water system free of lead-containing brass parts.
- Contoured basin minimizes splashing.
- Vandal-resistant push-button control.
- Includes vandal-resistant bottom cover plate and LK464 drain and trap assembly.

Color — White Granite.

Feature Options (at additional cost)

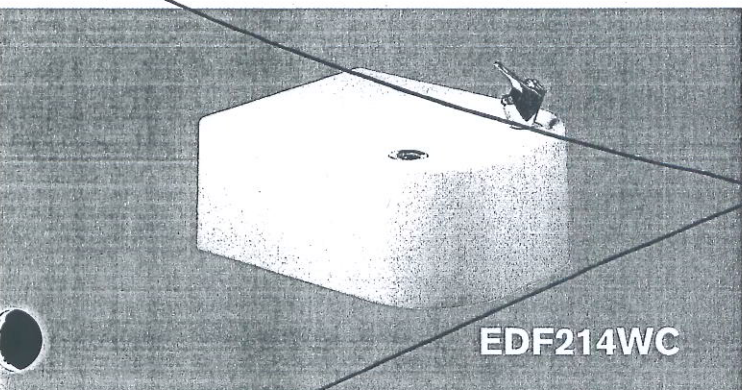
- MP86 In-The-Wall Mounting Plate.

See page 42 for remote chiller ordering information.



Model #	Length	Fountain in Inches Height	Depth	ADA Compliant	Bubbler Control	Ship. Wt. Lbs.
EDFP220RC**	37 3/4	6 3/4	18 1/16	Yes	Push-Button	95

**Only available in White Granite.



EDF214WC

SINGLE-LEVEL NO LEAD DRINKING FOUNTAIN

Wall mounted drinking fountain constructed of durable, nonporous composite gel coated material.

Standard Features

- **No Lead Design**-Water system free of lead-containing brass parts.
- Contoured basin minimizes splashing.
- Includes LK142 No Lead Push Button Bubbler.
- Includes vandal-resistant bottom cover plate and LK464 drain and trap assembly.

Color — Conventional model EDF214WC in Shadow White.

Feature Options (at additional cost)

- MP86 In-The-Wall Mounting Plate.

See page 42 for remote chiller ordering information.



Model #	Length	Fountain in Inches Height	Depth	ADA Compliant	Bubbler Control	Ship. Wt. Lbs.
EDF214WC	13 3/4	7 1/8	18 3/16	No	LK142	50

Barrier-Free SwirlFlo® Single-Level

SINGLE-LEVEL WHEELCHAIR ACCESS DRINKING FOUNTAINS

Wall-mounted, fully exposed fountain is easy to operate. Contoured basin is uniquely recessed into stainless steel tubular support arm.

Standard Features

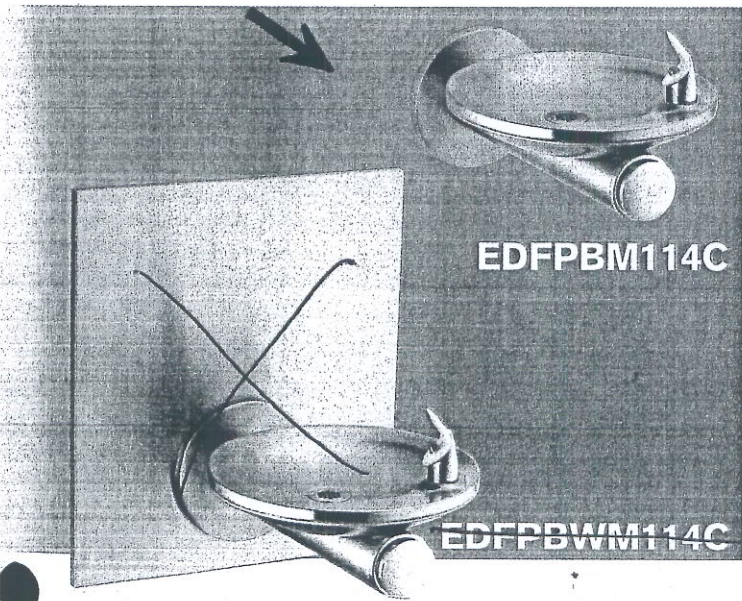
- **No Lead Design**-Water system free of lead-containing brass parts.
- Provides easy access for use by a physically handicapped person.
- **Flexi-Guard** safety bubbler.
- Contoured basins to minimize splashing.
- Vandal-resistant front push-button.
- Includes MP86 In-The-Wall Mounting Plate on model EDFPBM114C.
- **ADA Compliant*** when properly installed.

Feature Options (at additional cost)

- AP99 Access Panel.

Color — Stainless Steel polished to a satin finish, high-shine outer edge.

See page 42 for remote chiller ordering information.



EDFPBM114C

EDFPBWM114C

SINGLE-LEVEL WHEELCHAIR ACCESS DRINKING FOUNTAIN WITH WALL PLATE

Same as single-level wheelchair drinking fountain (above) but includes attractive protective wall plate and surface mounting plate versus in-the-wall mounting plate.



Model #	Wall Plate in Inches			Fountain in Inches		ADA Compliant	Bubbler Control	Optional Color(s)	Ship. Wt. Lbs.
	Height	Length	Depth	Length	Depth				
EDFPBM114C	—	—	—	14 Dia.	18	Yes	Push-Button	None	22
EDFPBWM114C	12	12	5/8	14 Dia.	18	Yes	Push-Button	None	25

*ADA compliant only when installed in a recess or with right and left wing walls.

NO LEAD DRINKING FOUNTAINS

**No Lead SwirFlo® Drinking Fountain
Fully Exposed Wall Mount
Barrier-Free Access
Model EDFPBM114C**



SPECIFICATIONS

GENERAL

Wall mounted drinking fountain basin constructed of #18 gauge, type 304 stainless steel polished to a lustrous satin finish with high shined outer edge. #16 gauge, type 304 tubular stainless steel support arm incorporates a recess to be integrated with basin.

Contoured basin minimizes splashing and has exclusive Flexi-Guard® safety bubbler to prevent accidental mouth injuries. Keyed in location to prevent rotation. Fully functional, vandal-resistant front push button is easy to operate. Patented* valve and in-line flow regulator provides constant stream from 20 to 105 psi.

THIS WATER COOLER COMPLIES WITH THE REQUIREMENTS OF A.D.A. (AMERICANS WITH DISABILITIES ACT).

NO LEAD DESIGN

THIS DRINKING FOUNTAIN COMPLIES WITH THE LEAD-FREE DEFINITION IN THE SAFE DRINKING WATER ACT OF 1986 AND LEAD CONTAMINATION CONTROL ACT OF 1988.

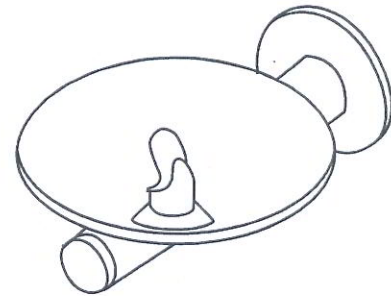
Elkay Drinking Fountains are manufactured with a waterway system utilizing copper components and completely lead-free material. These waterways have no lead because all leaded materials, such as leaded brass, have been removed.



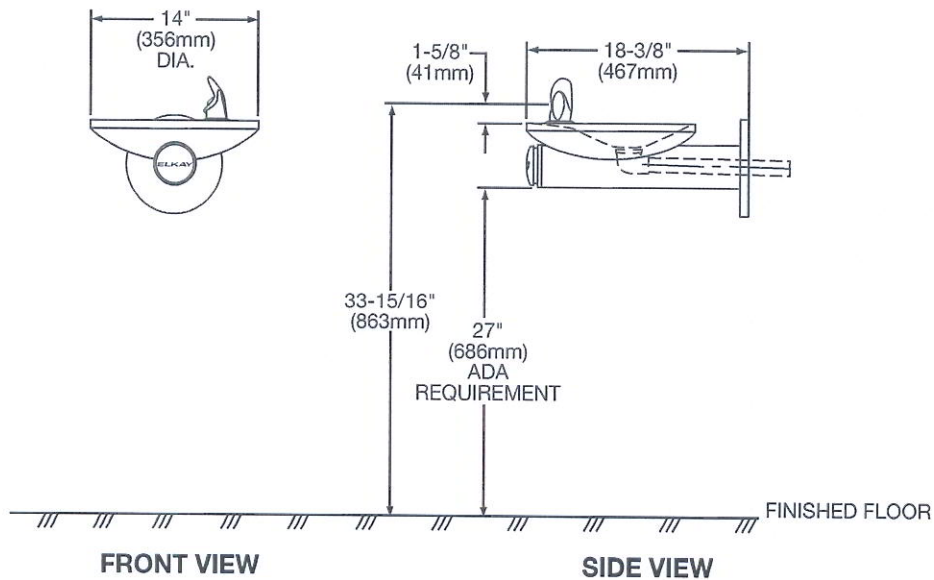
This drinking fountain is classified by Underwriters Laboratories Inc. in accordance with **ANSI/NSF61, Section 9-1997b.**

CONSTRUCTION

EDFPBM114C furnished complete with Flexi-Guard®, fully assembled front push button, patented* valve and in-line flow regulator (20 to 105 psi), and in-the-wall MP86 mounting plate. No trap furnished.



Model EDFPBM114C



* Patent #4,481,971

In keeping with our policy of continuing product improvement, Elkay reserves the right to change product specifications without notice.

This specification describes an Elkay product with design, quality and functional benefits to the user. When making a comparison of other producers' offerings, be certain these features are not overlooked.

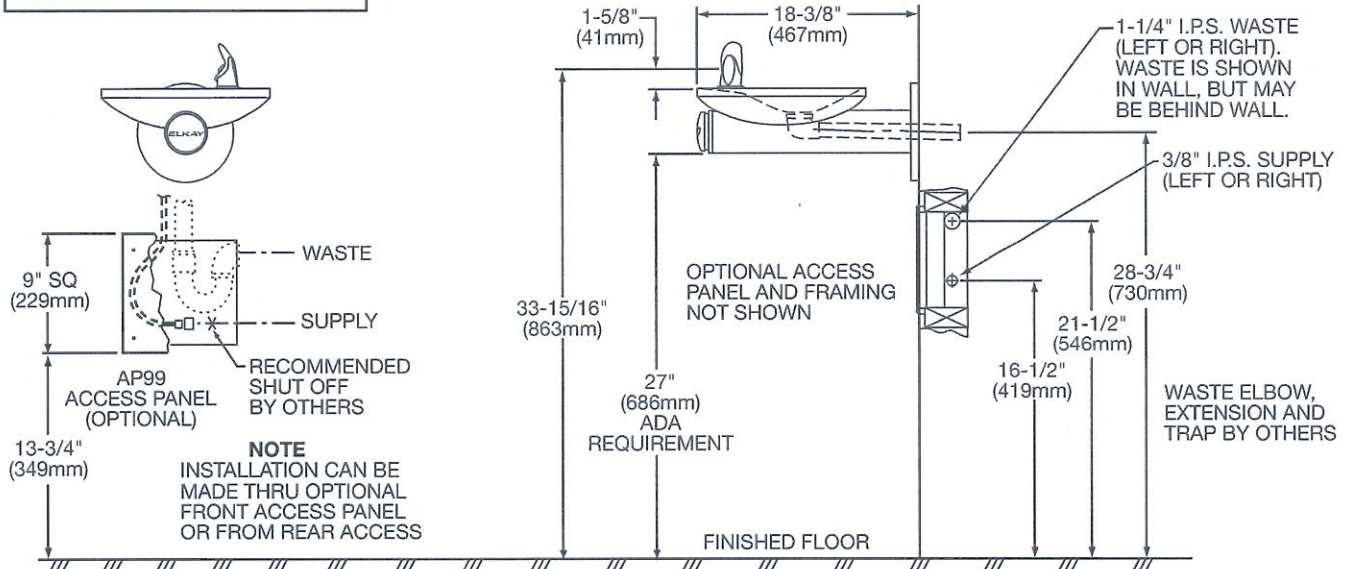
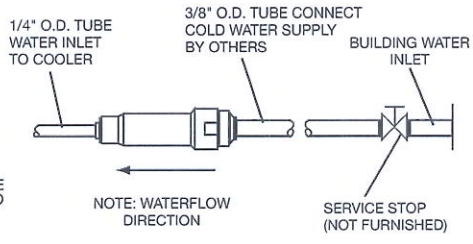
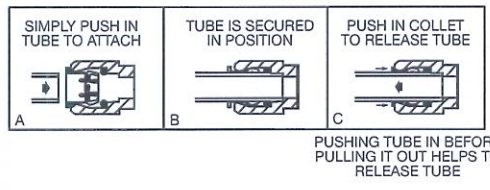
No Lead SwirFlo® Drinking Fountain
Fully Exposed Wall Mount
Barrier-Free Access
Model EDPBM114C



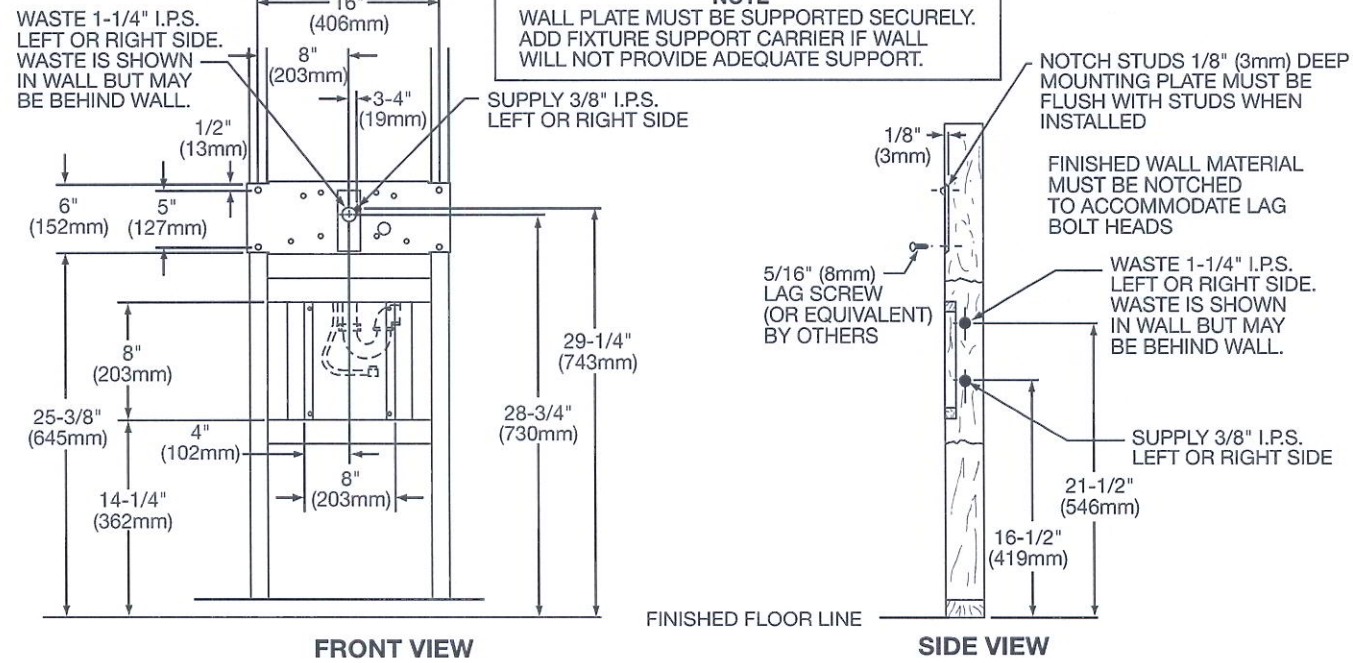
ROUGH-IN DIMENSIONS

INSTALLER NOTE
 THIS DRINKING FOUNTAIN IS FURNISHED WITH A BUBBLER AND VALVE INCLUDING ALL CONNECTING FITTINGS WHICH ARE MANUFACTURED OF COMPLETELY LEAD-FREE MATERIAL. IT IS RECOMMENDED THAT SHUT OFF VALVE AND SUPPLY TUBING SUPPLIED BY OTHERS BE NON-METALLIC.

OPERATION OF QUICK CONNECT FITTINGS



SUPPORT PREPARATION



ELKAY®

SPECIFICATIONS

P-5

No Lead Remote Chiller Air Cooled Model ECH8

GENERAL

Remote type, electric refrigerated, water chiller unit. Chilling capacity of 8.0 gallons per hour of 50°F drinking water, based upon 80°F inlet water and 90°F ambient.

Compact, highly efficient water chiller units are designed for use with any drinking fountain. Also connects to a bubbler, glass filler or cold water dispenser. Converts a fountain into a water cooler. Installs directly under fountain or other application, or may be located in a service area to serve a remote outlet (within 15 feet recommended).

NO LEAD DESIGN

THIS WATER CHILLER COMPLIES WITH THE LEAD-FREE DEFINITION IN THE SAFE DRINKING WATER ACT OF 1986 AND LEAD CONTAMINATION CONTROL ACT OF 1988.

Elkay Water Chillers are manufactured with a waterway system utilizing copper components and completely lead-free materials. These waterways have no lead because all lead-containing materials, such as leaded brass, have been removed. All joints are brazed using silver solder only. No lead solder is permitted.

This water chiller is certified to **NSF/ANSI 61**.

CAPACITIES CHART

Model Number	Base Rate	*GPH of 50°F Drinking Water				Rated Watts	Full Load Amps	Ship. Wt. Lbs.
		Room Temperature °F						
		70°F	80°F	90°F	100°F			
ECH8	8.0	9.7	8.8	8.0	7.2	370	4.0	47

*Based on 80°F inlet water temperature.

Rated watts shown are based on operational (run) time, in compliance with A.R.I. Standard 1010 conditions. Specific applications will determine the actual watts consumed per hour. Watts consumed will be based on number of people served per hour (usage), ambient temperatures, and inlet water temperature. Multiple outlet capacities. Service to 2 stations.

COOLING SYSTEM

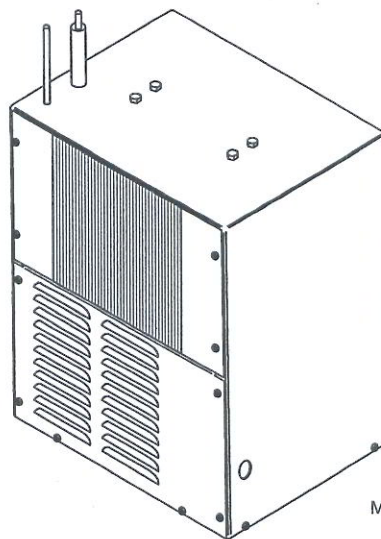
Motor Compressor: Hermetically sealed, reciprocating type, 1/5HP, 115VAC, 60Hz single phase. Sealed-in lifetime oil supply.

Condenser: Fan cooled, copper tube with aluminum fins, fan motor is permanently lubricated.

Cooling Unit: Combination tube-tank type. Tube portion is continuous coil of copper tubing. Tank is copper, tinned and insulated with EPS foam.

Refrigerant Control: Refrigerant HFC-134a is controlled by accurately calibrated capillary tube for positively trouble-free operation.

Temperature Control: Enclosed adjustable thermostat is factory preset. Requires no adjustment other than for altitude requirements.



Model ECH8

CONSTRUCTION

Cabinet: Rust-resistant, galvanized steel.

Drain Plug: This chiller is provided with a plastic drain plug which incorporates an o-ring seal. This fitting is designed for potable water applications and should be replaced with a suitable fitting if chiller is used with more aggressive liquids.

5 YEAR LIMITED WARRANTY on the refrigeration system of the unit. Electrical components and water system are warranted for 12 months from date of installation. Warranty pertains to drinking water applications only. **Non-drinking water applications are not covered under warranty.** Sample Certificate available on request.

STANDARDS



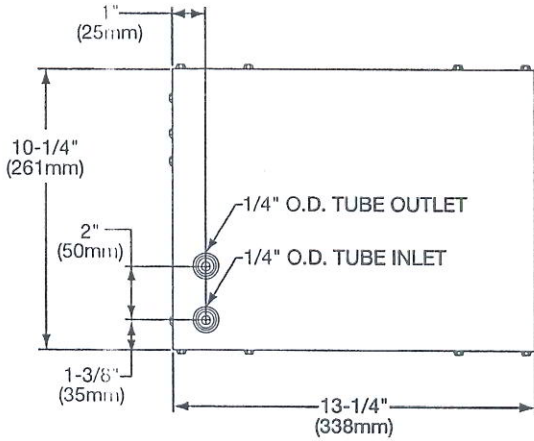
Elkay Electric Air Cooled Water Chillers meet the requirements of NSF/ANSI 61. Unit complies with A.R.I. Standard 1010.

In keeping with our policy of continuing product improvement, Elkay reserves the right to change product specifications without notice.

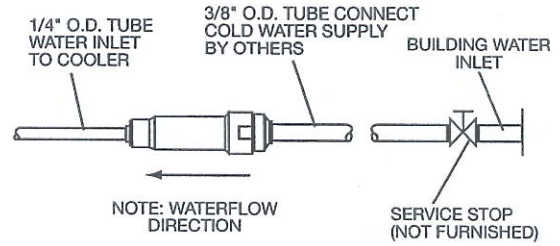
This specification describes an Elkay product with design, quality and functional benefits to the user. When making a comparison of other producers' offerings, be certain these features are not overlooked.

**No Lead Remote Chiller
Air Cooled
Model ECH8**

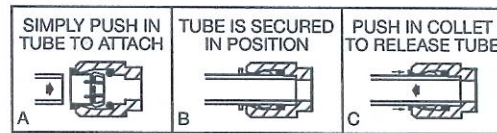
**ELKAY®
ROUGH-IN DIMENSIONS**



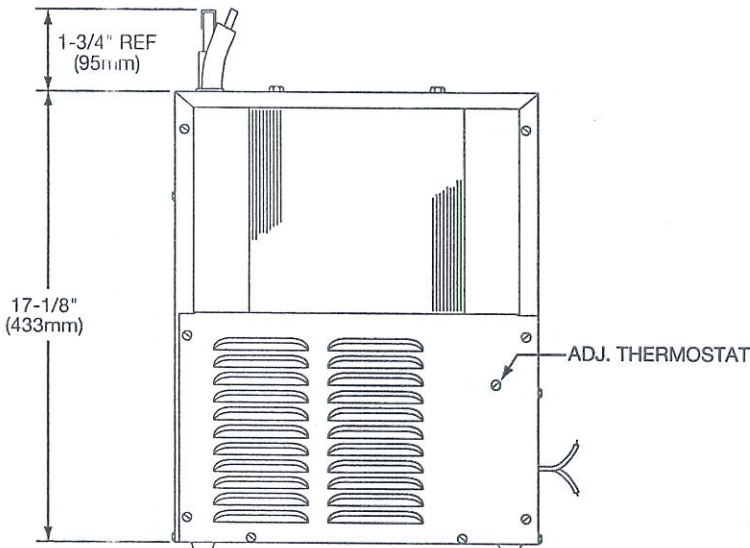
TOP VIEW



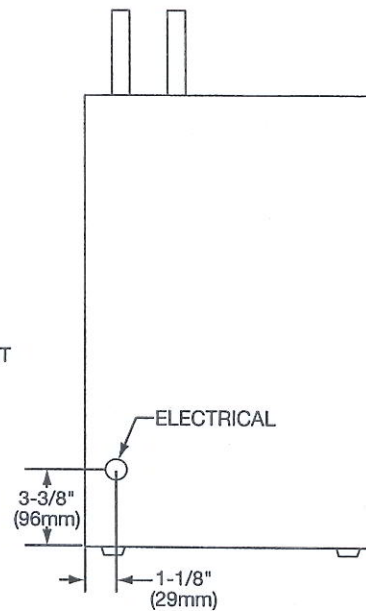
OPERATION OF QUICK CONNECT FITTINGS



PUSHING TUBE IN BEFORE PULLING IT OUT HELPS TO RELEASE TUBE



FRONT VIEW

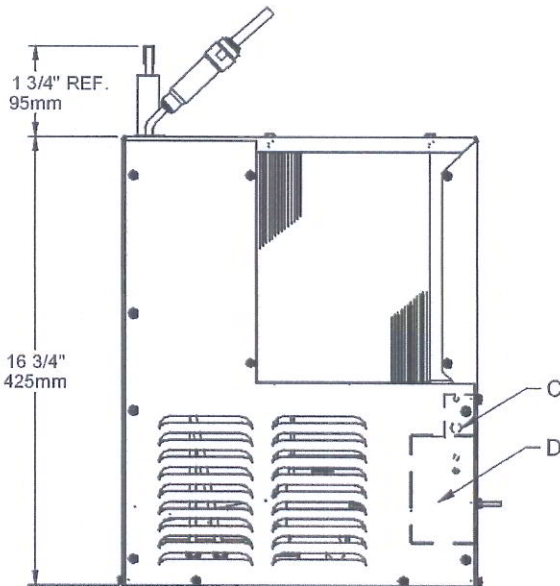
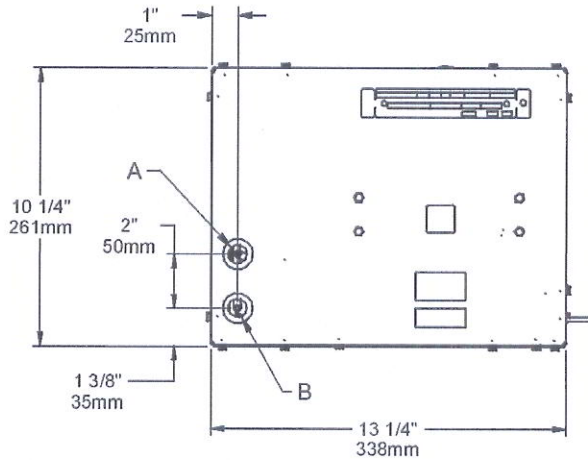


SIDE VIEW

NOTE: When mounting unit in an open area, to insure proper ventilation, maintain a 4" (102mm) clearance from cabinet louvers on each side of cooler. When mounting unit in a cavity or behind a wall, maintain minimum space of 4" (102mm) on each side, 4" (102mm) on the top and a depth of 12" (305mm).

ELKAY Refrigeration Package

INSTALLATION, CARE & USE MANUAL



LEGEND
A = 1/4" O.D. TUBE WATER OUTLET
B = 1/4" O.D. TUBE WATER INLET
C = TEMPERATURE ADJUSTMENT
D = ELECTRICAL

INSTALLATION

1. When mounting unit in an open area, to insure proper ventilation, maintain a 4" (102mm) clearance from cabinet louvers on each side of cooler. When mounting unit in a cavity or behind a wall maintain minimum space of 4" (102mm) on each side, 4" (102mm) on the top and a depth of 12" (305mm).
2. Water inlet is 1/4" (6 mm) O.D. tube. Contractor to supply the connections as required.
3. Connecting lines to be of unplated copper, thoroughly flushed to remove all foreign matter before being connected to cooler. If flushing does not remove all particles, a water strainer should be installed in supply line. This cooler is manufactured in such a manner that it does not in any way cause taste, odor, color or sediment problems.
4. Connect cooler to building supply line with a shut-off valve and install the in-line strainer between the valve and cooler.
5. Electrical: Make sure power supply is identical in voltage, cycle, and phase to that specified on cooler serial plate. Never wire compressor directly to the power supply.
6. This chiller has been designed for use with potable water **ONLY**.

START-UP

1. Open supply line valve.
2. Purge air from all water lines by operating bubbler valve of fountain to which cooler is connected. Steady stream assures all air is removed.
3. Rotate fan to insure proper clearance and free fan action.
4. Connect to electrical power.

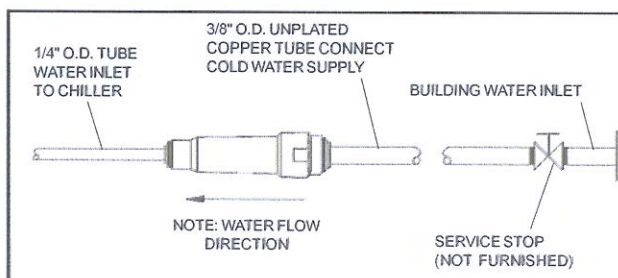
TROUBLE SHOOTING & MAINTENANCE

Temperature Control: Factory set at 50°F (± 5°) under normal conditions. For colder water, adjust screw on item no. 12 in clockwise direction.

Ventilation: Cabinet louvers and condenser fins should be periodically cleaned with brush, air hose or vacuum cleaner. Excess dirt or poor ventilation can cause no cold water and compressor cycling on the compressor overload protector.

Lubrication: Motors are lifetime lubricated.

Actuation of Quick Connect Water Fittings: Cooler is provided with lead-free connectors which utilize an o-ring seal. To remove tubing from the fittings, relieve water pressure, push in on gray collar while pulling on the tubing. To insert tubing, push tube straight into fitting until it reaches a positive stop, approximately 3/4".



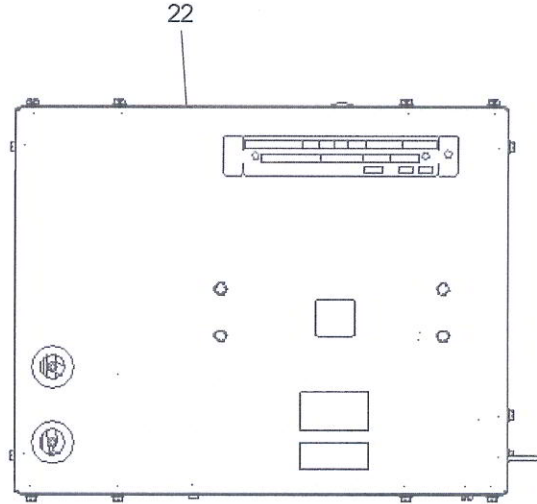
OPERATION OF QUICK CONNECT FITTINGS



PUSHING TUBE IN BEFORE PULLING IT OUT HELPS TO RELEASE TUBE

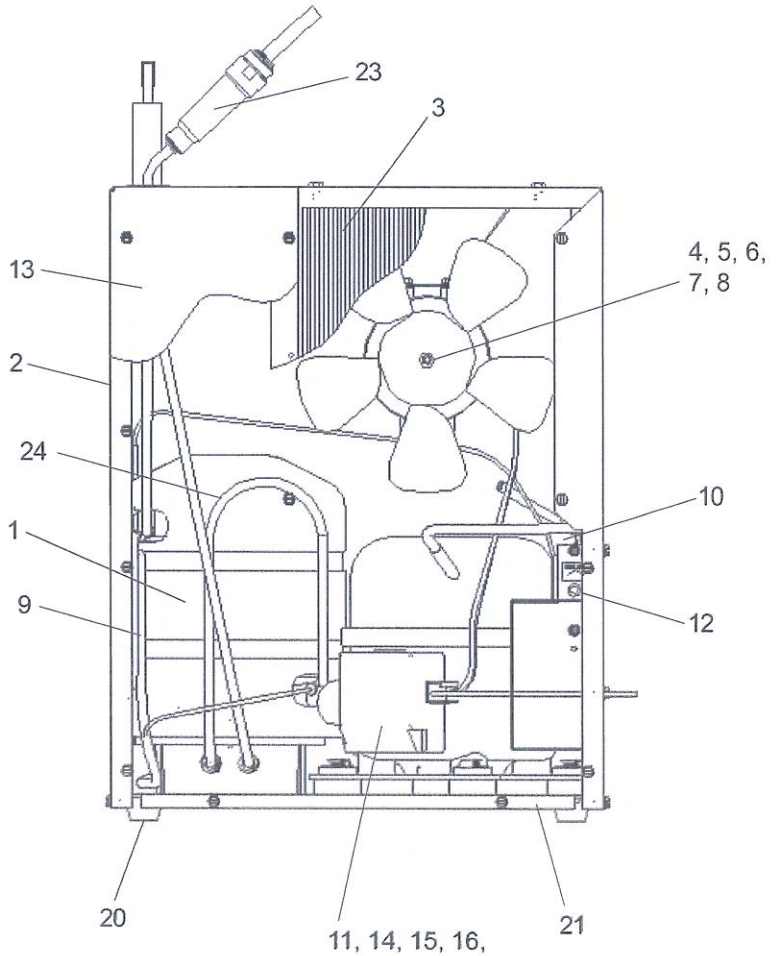
ECH8*1J ECH8*2J ECH8*3J

115V ITEMIZED PARTS LIST		
ITEM NO.	PART NO.	DESCRIPTION
1	66534C	EVAPORATOR TANK ASSY
2	28478C	CABINET
3	66743C	CONDENSER
4	31490C	MOTOR - FAN 115V
5	20282C	BRACKET - FAN MOUNTING
6	30664C	BLADE - FAN
7	70018C	NUT - FAN BLADE
8	56237C	SHROUD - FAN
9	66576C	HEAT EXCHANGER
10	66703C	DRIER
*11	36094C	COMPRESSOR SERVICE PAK
12	31513C	COLD CONTROL
13	28477C	PANEL - FRONT
14	35768C	COVER - RELAY
15	36158C	OVERLOAD
16	35959C	RELAY
17	100806740570	GROMMET
18	101516143550	STUD - COMP. MOUNTING
19	19037000	CLIP
20	50930C	BUMPER
21	27303C	BASEPLATE
22	22300C	PANEL - REAR
23	55996C	IN-LINE STRAINER
24	66723C	EVAPORATOR TUBE



220V - 50 HZ		
ITEM NO.	PART NO.	DESCRIPTION
4	31431C	MOTOR - FAN 220V
9	66576C	HEAT EXCHANGER
*11	36085C	COMPRESSOR SERVICE PAK
15	36195C	OVERLOAD
16	36050C	RELAY

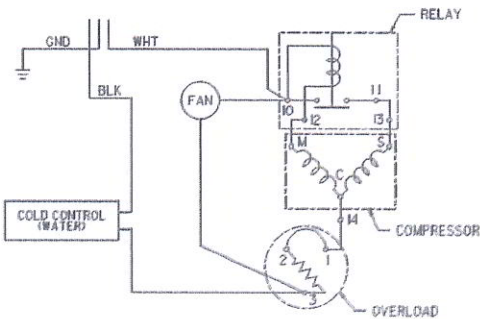
220V - 60 HZ		
ITEM NO.	PART NO.	DESCRIPTION
4	31430C	MOTOR - FAN 220V
9	66576C	HEAT EXCHANGER
*11	36092C	COMPRESSOR SERVICE PAK
15	36174C	OVERLOAD
16	36050C	RELAY



*INCLUDES RELAY & OVERLOAD. IF UNDER WARRANTY, REPLACE WITH SAME COMPRESSOR USED IN ORIGINAL ASSEMBLY.

NOTE: All correspondence pertaining to any of the above water cooler or orders for repair parts MUST include model number and serial number of cooler, name and part number of replacement part.

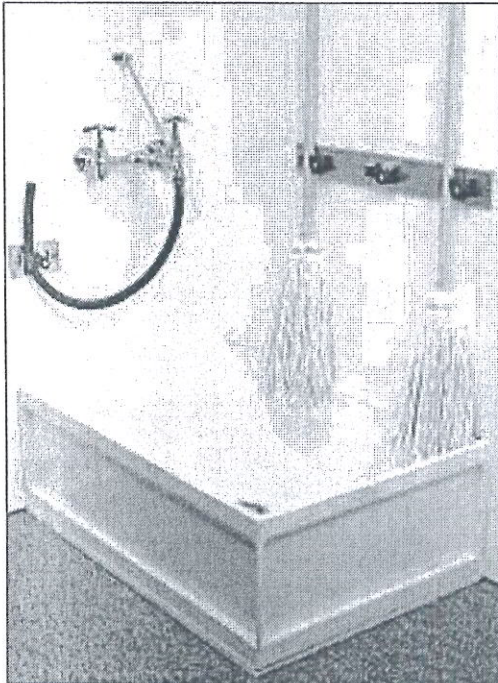
WIRING DIAGRAM



Molded Stone[®] Mop Service Basins

FIAT

P-6



These rugged molded stone mop service basins are manufactured from the SMC process under the highest quality standards. The quality control molding is achieved in matched metal dies under intense heat and pressure with the result being a one-piece, dependable homogeneous product. Color is White.

SPECIFICATIONS

- 10" (254) high walls with 1" (25) wide shoulders. Model MSB-3624 includes an integrally molded shelf 10 9/16" (268) wide
- Stainless steel factory installed drain body complete with a QDC-3 joint connector for a 3" (76) drain pipe
- A combination dome strainer and stainless steel lint basket is included

Ces robustes cuves d'entretien de vadrouilles molded stone sont fabriquées grâce au procédé SMC selon les normes de qualité les plus rigoureuses afin d'en assurer la durabilité et d'éliminer les problèmes après l'installation. Le moulage se fait dans des matrices métalliques jumelées, à haute température et sous une forte pression, ce qui assure un produit homogène et fiable d'une seule pièce. La couleur est le blanc.

CARACTÉRISTIQUES

- Côtés de 10 po (254) avec épaulement de 1 po (25). Le modèle MSB-3624 comprend une tablette moulée intégrée de 10 9/16 po (268)
- Renvoi en acier inoxydable avec raccord QDC-3 pour tuyau de renvoi de 3 po (76)
- Crépine en coupole et filtre à charpie en acier inoxydable combinés compris

DIMENSIONS

MSB-3624

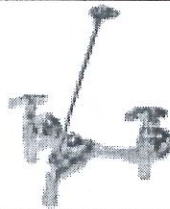
- 36" x 24" x 10" (914 x 610 x 254)
- Shipping weight / Poids à l'expédition: 70 lbs (32 kg)

MSB-2424

- 24" x 24" x 10" (610 x 610 x 254)
- Shipping weight / Poids à l'expédition: 50 lbs (23 kg)

OPTIONAL EQUIPMENT / ÉQUIPEMENT FACULTATIF

830 AA - Wall mounted service faucet, chrome plated with vacuum breaker, integral stops, adjustable wall brace, pail hook and 3/4" (19) hose thread on spout. Body inlets 8" (203) center to center, four arm handles. Centre of spout outlet from back of wall flange 9 3/8" (238). CSA approved



830 AA - Robinet de service mural chromé avec coupe-vide, dispositif d'arrêt intégré, attache murale réglable et filets pour boyau 3/4 po (19) sur le bec. Conduites d'alimentation à 8 po (203) de centre à centre et clés à quatre ailettes. 9 3/8 po (238) entre le centre du bec et l'arrière de la bride murale. Homologué par L'ANCOR

889 CC - Mop Bracket, 24" (610) long x 3" (76) wide, stainless steel with three (3) rubber grips



889 CC - crochet pour vadrouille, 24 po (610) de long par 3 po (76) de large, en acier inoxydable et muni de trois pinces à outils en caoutchouc

E-77-AA - Vinyl bumper guards in 24" or 36" length



E-77-AA - butoirs en vinyle en 24 po ou 36 po de long

1453 BB - Flat stainless steel strainer



1453 BB - Crépine plate en acier inoxydable pour utilisation résidentielle

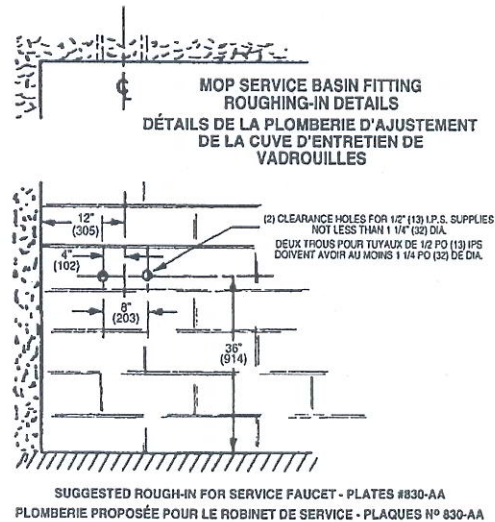
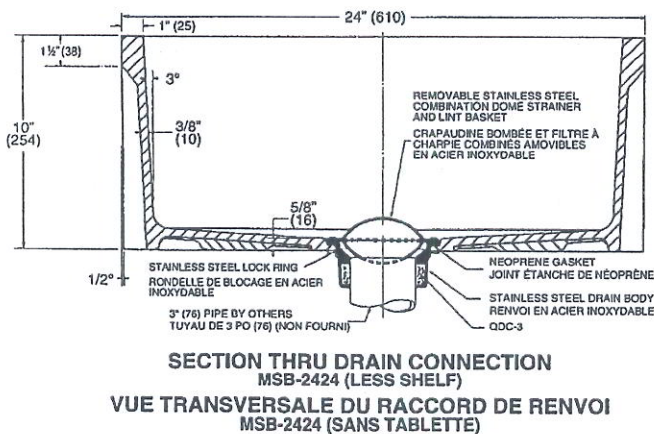
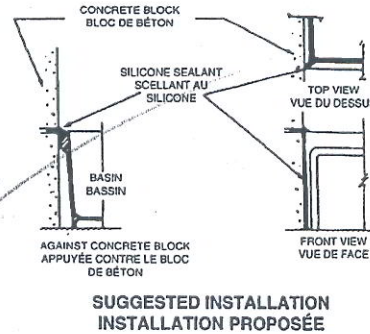
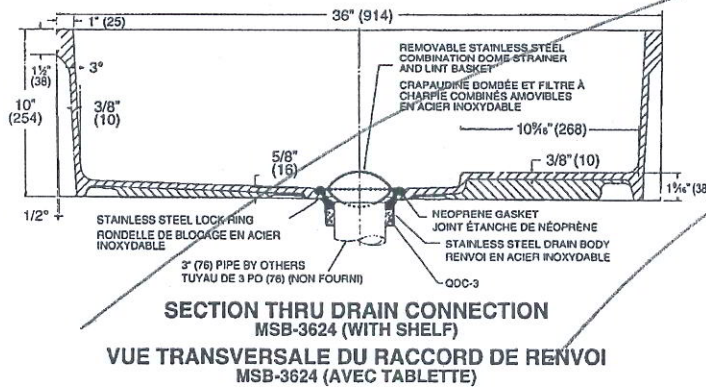
Quick Drain Connectors (QDC's)

For Use With	QDC 3.2	QDC 3SN	QDC 3XH	QDC 4
CAST IRON SOIL PIPE	•	•	•	•
P.V.C. SCHED. 40 D.W.V.	•	•	•	•
STEEL SCHED. 40	•	•	•	•


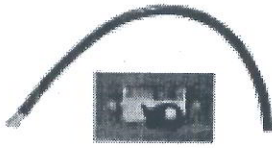


Raccord rapide pour tuyau d'écoulement (QDC's)

For Use With	QDC 3.2	QDC 3SN	QDC 3XH	QDC 4
CAST IRON SOIL PIPE	•	•	•	•
P.V.C. SCHED. 40 D.W.V.	•	•	•	•
STEEL SCHED. 40	•	•	•	•



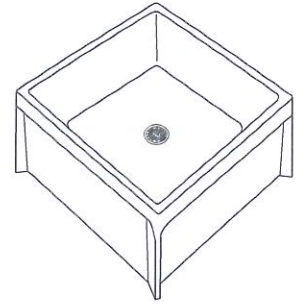
OPTIONAL EQUIPMENT / ÉQUIPEMENT FACULTATIF

<p>Stainless Steel Wall Guards Made of heavy gauge stainless steel. Designed and is used to protect walls adjacent to the receptor. Two panels are supplied for a corner installation, a third panel is required for a recessed installation. The wall guard models are identified as follows: MSG 2424, MSG 3232, MSG 3624, and MSG 3636</p>		<p>Protecteurs muraux en acier inoxydable Fabriqués en acier inoxydable durable et de haut calibre. Conçus pour protéger les murs adjacents au récepteur. Deux panneaux sont fournis pour une utilisation en coin, un troisième panneau est requis pour une utilisation en alcôve. Les modèles de protecteurs muraux sont identifiés comme suit: MSG 2424, MGS 3232, MSG 3624 et MSG 3636</p>
<p>832 AA - Hose and Bracket; 30" (762) long flexible heavy duty 5/8" (16) rubber hose, cloth reinforced with 3/4" (19) chrome coupling at one end. Bracket is 5" (127) long x 3" (76) wide stainless steel with rubber grip</p>		<p>832 AA - Boyau et support : Boyau en caoutchouc flexible de 5/8" (16) résistant, 30" (762) de long, renforcé à une extrémité avec un assemblage de chrome de 3/4" (19). Support de 5" (127) de long X 3" (76) de large en acier inoxydable avec prise en caoutchouc.</p>

**SPECIFICATIONS SUBJECT TO CHANGE WITHOUT NOTICE.

MOLDED STONE SERVICE BASINS

MSB 2424 MSB 3624



INSTALLATION INSTRUCTIONS

1. REMOVE CRATE AT INSTALLATION POINT. DO NOT ROCK MOP BASIN EDGES. (THIS PRECAUTION WILL PREVENT DAMAGE TO CORNERS OF THE BASIN).

METHOD FOR CHECKING FACE OF MOP BASIN FLOOR FOR TRANSPORTATION DAMAGE:

- A. WIPE FACE OF BASIN FLOOR WITH A WET CLOTH. (WATER)
- B. WHEN THE WATER EVAPORATES, ANY SLIGHT CRACK IN THE MOP BASIN FLOOR WILL BE NOTICEABLE.

2. NOTE BASIN DIMENSIONS IN THE DIAGRAM. BASIN TYPICALLY IS PLACED NEXT TO A FINISHED BLOCK, CERAMIC TILE OR CONCRETE WALL. A SMALL GAP (APPROXIMATELY 1/8") SHOULD BE PRESENT BETWEEN THE BASIN AND THE FINISHED WALLS.

3. PROVIDE FOR DRAIN CONNECTION. THE STAINLESS STEEL DRAIN BODY IS DESIGNED TO PROVIDE FOR A CAULK CONNECTION OR QDC-3 JOINT TO A 3" DRAIN PIPE. 3" DRAIN PIPE PROVIDED BY OTHERS. (ALTERNATE STRAINER 1453-BB FOR RESIDENTIAL USE EFS-2424 AND EFS-3624 USE 2" PIPE PROVIDED BY OTHERS)

4. PLAN THE INSTALLATION BY CONSIDERING THE LOCATION OF A WATER SUPPLY FAUCET. MOP AND HOSE HANGER BRACKETS MAY ALSO BE INSTALLED. NOTE ON THE DIAGRAMS THE SUGGESTED LOCATION OF THESE ITEMS.

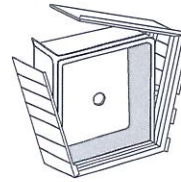
MOP BASIN INSTALLATION

5. A LAYER OF MORTAR SHOULD BE PLACED IN THE AREA WHERE THE MOP BASIN IS TO BE INSTALLED. THIS PROCEDURE IS RECOMMENDED BY FIAT IN ORDER TO SUPPORT THE BASIN IN CASE THE SUB FLOOR IS UNEVEN. MORTAR SHOULD COVER THE ENTIRE AREA BETWEEN BASIN AND BUILDING FLOOR.

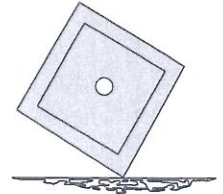
WARNING! DO NOT DROP THE MOP BASIN OVER AN EXPOSED DRAIN PIPE. LIFT AND PLACE THE BASIN CAREFULLY TO AVOID DAMAGE.

LEVEL RECEPTOR CAREFULLY

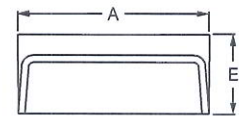
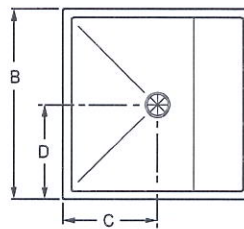
6. USE A SPIRIT LEVEL ON TOP OF THE BASIN TO ASSURE LEVEL. REMOVE ANY EXCESS MORTAR THAT MAY HAVE SQUEEZED OUT AFTER BASIN INSTALLATION IS COMPLETE.
7. CAULK GAP BETWEEN FINISHED WALL AND MOP BASIN USING SILICONE CAULKING.



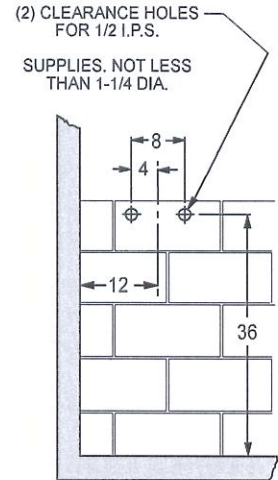
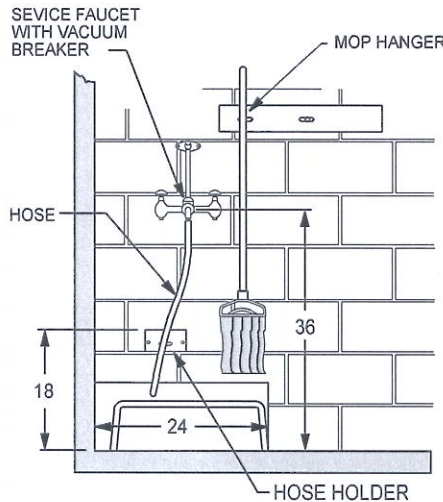
REMOVE CRATE WITH CARE



DO NOT STAND ON END

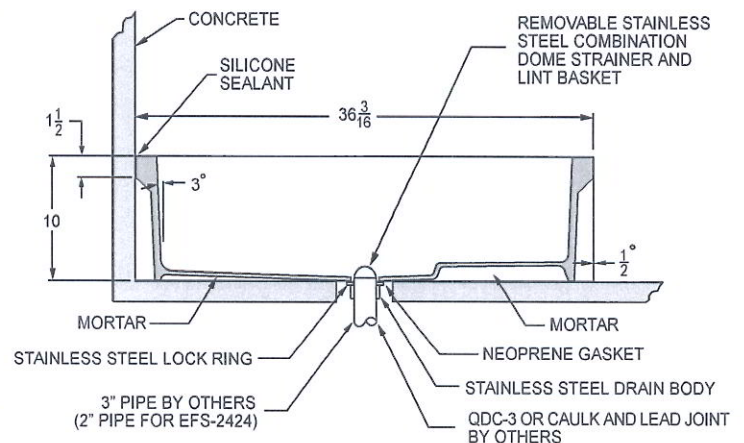
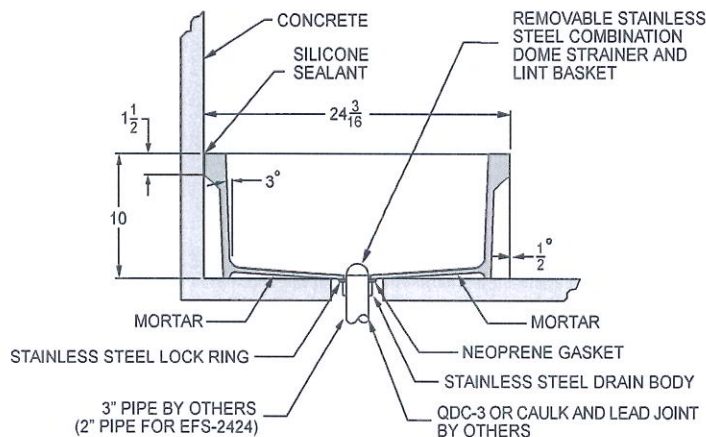


MODEL NO.	A	B	C	D	E
MSB-2424	24 3/16	24 3/16	12	12	10
MSB-3624	36 3/16	24 3/16	18	12	10



MSB 2424 DETAIL

MSB 3624 DETAIL



DO NOT STACK OR STORE MOP BASINS FLAT

COMMANDER®

SC-5811



Service Sink Fittings

GENERAL SPECIFICATION

Polished chrome plated cast brass Commander service sink fitting with 1/4 turn ceramic cartridges covered by a 25-year warranty. Integral stops. Cast brass nozzle with 3/4" hose thread and pail hook. Brass vacuum breaker. Brass top brace assembly with wall flange and mounting screws. Distance from finished wall to nozzle outlet is 9". 8" centers with adjustable threaded brass wall flanges provide +/- 1/4" adjustments. 1/2" NPTF inlets. Meets A112.18.1/CSA B125.1 and ASSE-1001 standards.

SC-5811

Vandal-resistant four-arm handles with color-coded indexes.

SC-5812

Vandal-resistant lever handles with color-coded indexes.

SC-5814

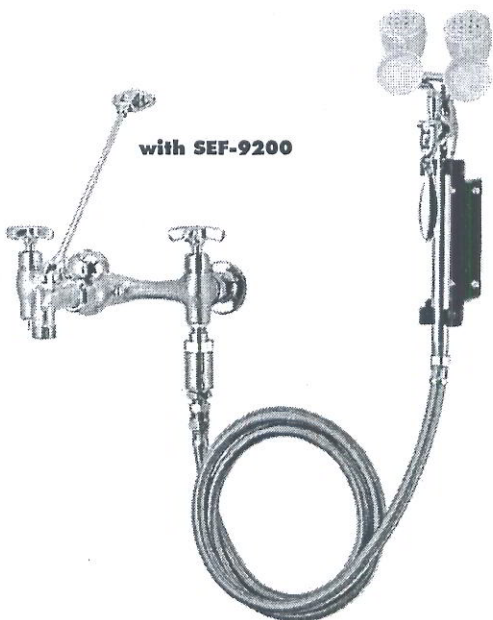
Vandal-resistant 4" wrist blade handles with color-coded indexes.

SC-5816

Vandal-resistant 6" wrist blade handles with color-coded indexes.

SC-5818

Vandal-resistant wing handles with color-coded indexes.



OPTIONS

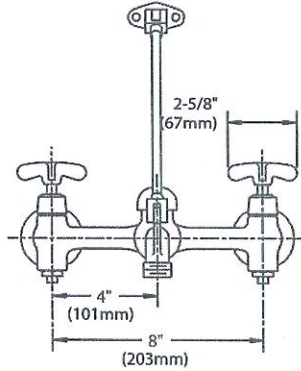
SUFFIX	DESCRIPTION
<input type="checkbox"/> CK	Check valves in swivel assembly
<input type="checkbox"/> EC	RCP eccentric couplings adjust for installations with 4" to 12" centers
<input type="checkbox"/> LVB	Less vacuum breaker (plain end spout)
<input type="checkbox"/> MI	Metal index for handles
<input type="checkbox"/> RCP	Rough chrome plated finish
<input type="checkbox"/> SEF-9200	Safety eyewash attachment
<input type="checkbox"/> 5H	5' vinyl hose with wall hook

This space for Architect/Engineer approval.

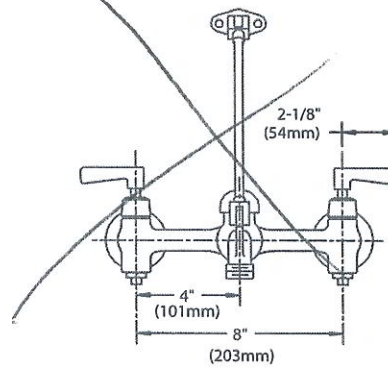


ROUGH-INS

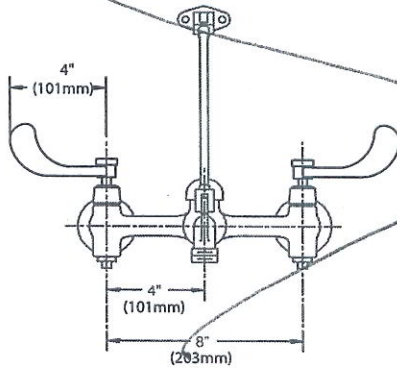
SC-5811



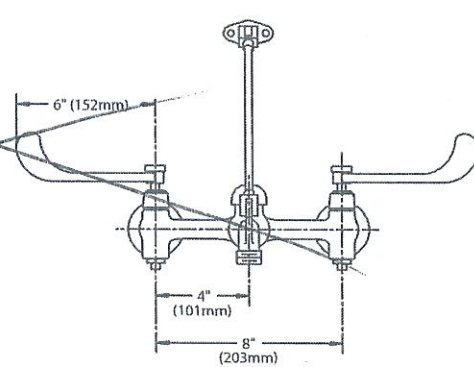
SC-5812



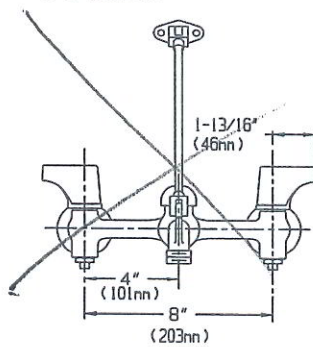
SC-5814



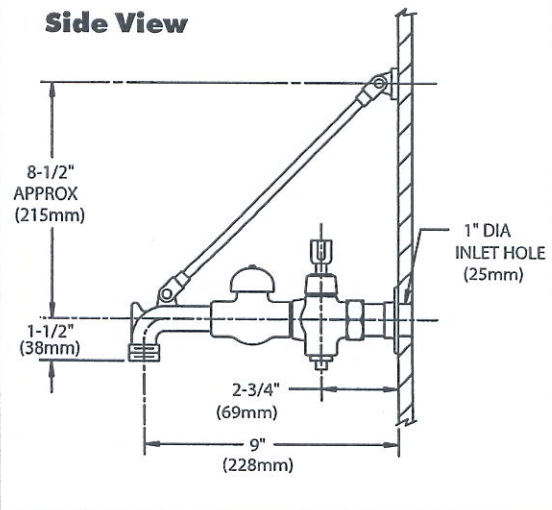
SC-5816



SC-5818



Side View





BEDPAN WASHER

Z875L7

P-7
HOSE BIBB

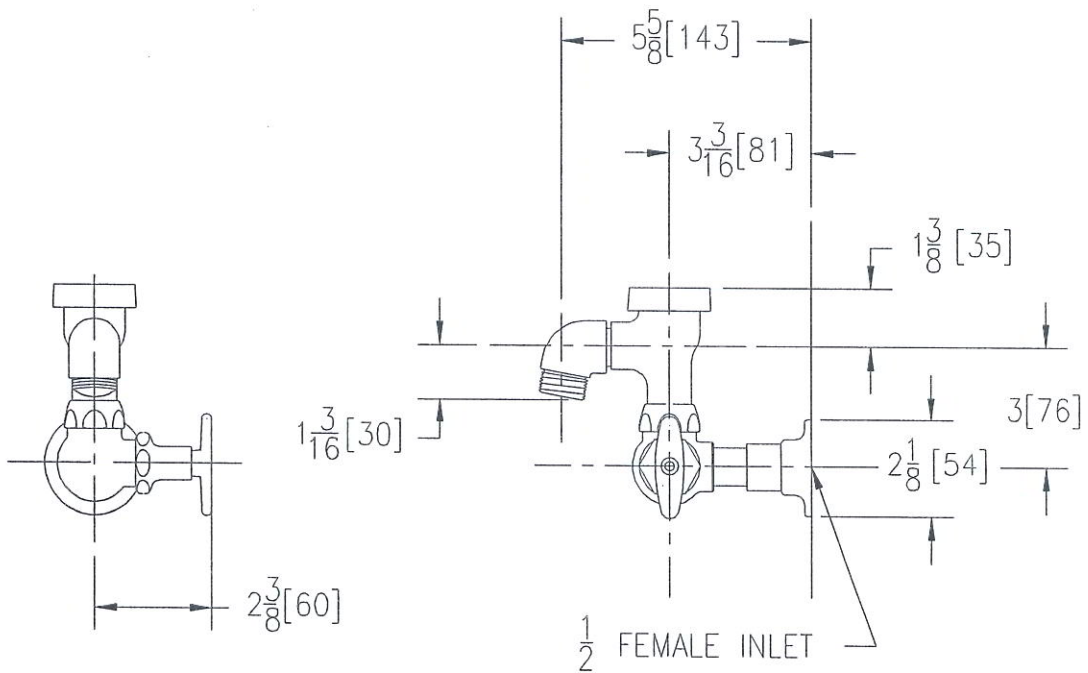
TAG P-7

✗ PROVIDE STANDARD HOSE BIBB
CHICAGO FAUCET No. 952
OR EQUAL



Engineering Specification: Zurn AquaSpec® Z875L7

Polished chrome-plated cast brass bedpan washer with a quarter turn ceramic disc cartridge and a 2-1/2" [64mm] vacuum breaker spout with an integral 3/4" hose-threaded outlet. Unit is furnished with a loose key cap and a removable brass tee handle.



Note: All dimensions are for reference only. Do not use for pre-plumbing

OPTIONAL ACCESSORIES

Suffix	Description
— -WHK	Wall Hook
— -5H	5' [152cm] Vinyl Hose

ZURN INDUSTRIES, INC. ♦ COMMERCIAL BRASS OPERATION ♦ 2640 SOUTH WORK STREET ♦ FALCONER NY 14733

Phone: 1-716-665-1132 ♦ Fax: 1-716-665-1135 ♦ World Wide Web: www.zurn.com

In Canada: ZURN INDUSTRIES LIMITED ♦ 3544 Nashua Drive ♦ Mississauga, Ontario L4V1L2 ♦ Phone: 905/405-8272 Fax: 905/405-1292

MANUAL FAUCETS



a Geberit company

952-CP

Wall Mounted Service Sink Faucet with Atmospheric Vacuum Breaker Spout

PRODUCT TYPE

Wall mounted service sink faucet with atmospheric vacuum breaker spout

FEATURES & SPECIFICATIONS

- Polished chrome plated finish
- Solid brass body construction
- Atmospheric vacuum breaker rigid spout
- 3/4" Male garden hose thread outlet
- 2 1/4" tee handle, catalog #293-6
- Slow compression renewable cartridge that closes with water pressure with tapered square broach to facilitate handle removal, catalog #217-XTLH
- 3/4" NPT female inlet
- Mounting hardware included
- Cap available for loose key applications

PERFORMANCE SPECIFICATION

- Rated Operating Pressure: 20-125 PSI
- Rated Operating Temperature: 40-140° F

WARRANTY

- Lifetime Limited Faucet Warranty
- 5-Year Limited Cartridge Warranty
- 1-Year Limited Finish Warranty

COMPLIANT TO

- ASME A112.18.1
- CSA B125

Job Name	_____
Item Number	_____
Section/Tag	_____
Model Specified	_____
Architect	_____
Engineer	_____
Contractor	_____
<input type="checkbox"/> Submitted as Shown	<input type="checkbox"/> Submitted with Variations
Date	_____



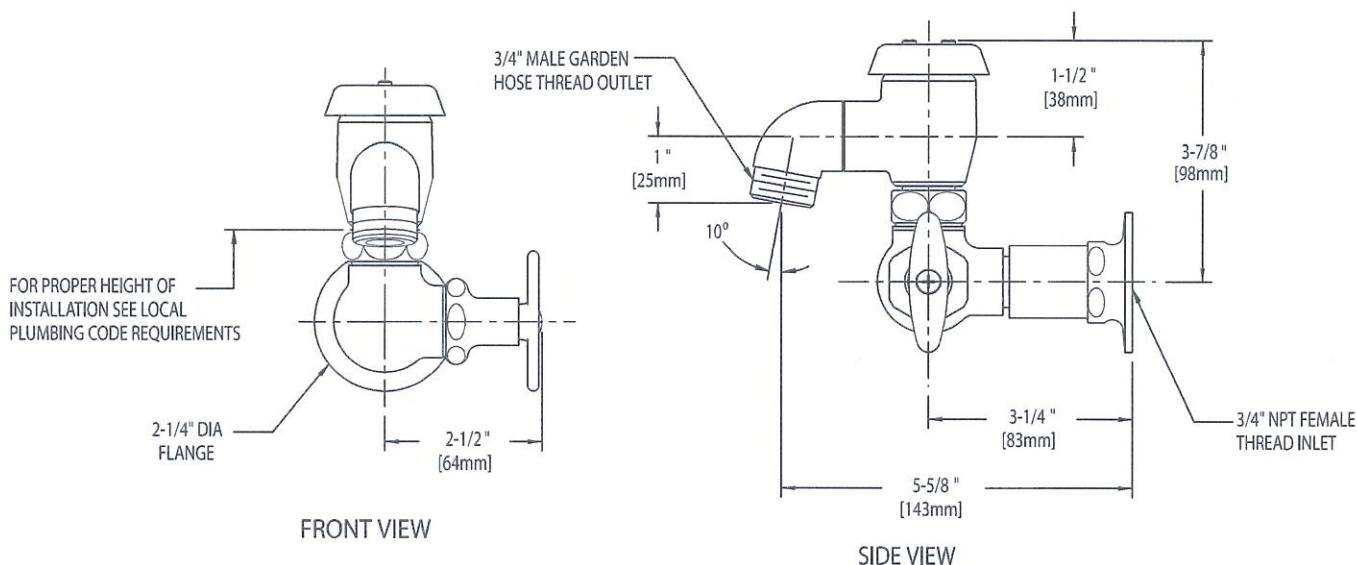
952-CP

Wall Mounted Service Sink Faucet with Atmospheric Vacuum Breaker Spout



ARCHITECT/ENGINEER SPECIFICATION

Chicago Faucets No. 952-CP, Polished chrome plated solid cast brass construction. Atmospheric vacuum breaker rigid spout with 3/4" male garden hose thread outlet. 2 1/4" tee handle with tapered square broach. Slow compression renewable cartridge designed to close with water pressure with square tapered broach feature to help facilitate handle removal. 3/4" NPT female inlet. Mounting hardware included. This product is tested and certified to ASME A112.18.1 and CSA B125 industry standards.



OPERATION AND MAINTENANCE

Installation should be in accordance with local plumbing codes. Flush all pipes thoroughly before installation. After installation, remove spout outlet or flow control and flush faucet thoroughly to clear any debris. Care should be taken when cleaning this product. Do not use abrasive cleaners, chemicals or solvents as they can result in surface damage. Use mild soap and warm water for cleaning and protecting the life of Chicago Faucet products. For specific operation and maintenance refer to the installation instructions and repair parts documents that are located at www.chicagofaucets.com.

Chicago Faucets, member of the Geberit Group, is the leading brand of commercial faucets and fittings in the United States, offering a complete range of products for schools, laboratories, hospitals, office buildings, food service, airports and sport facilities. Call 1.800.TECTRUE or 1.847.803.5000 Option 1 for installation or other technical assistance.



2100 South Clearwater Drive
Des Plaines, IL 60018
P: 847/803-5000
F: 847/803-5454
Technical: 800/TEC-TRUE
www.chicagofaucets.com

CHICAGO FAUCETS 

a Geberit company

FOR TECHNICAL ASSISTANCE
1-800-TEC-TRUE (1-800-832-8783)

2100 South Clearwater Drive
Des Plaines, IL 60018
Phone: 847-803-5000
Fax: 847-803-5454
www.chicagofaucets.com

REPAIR PARTS

BY: SID DATE: 01-09-08

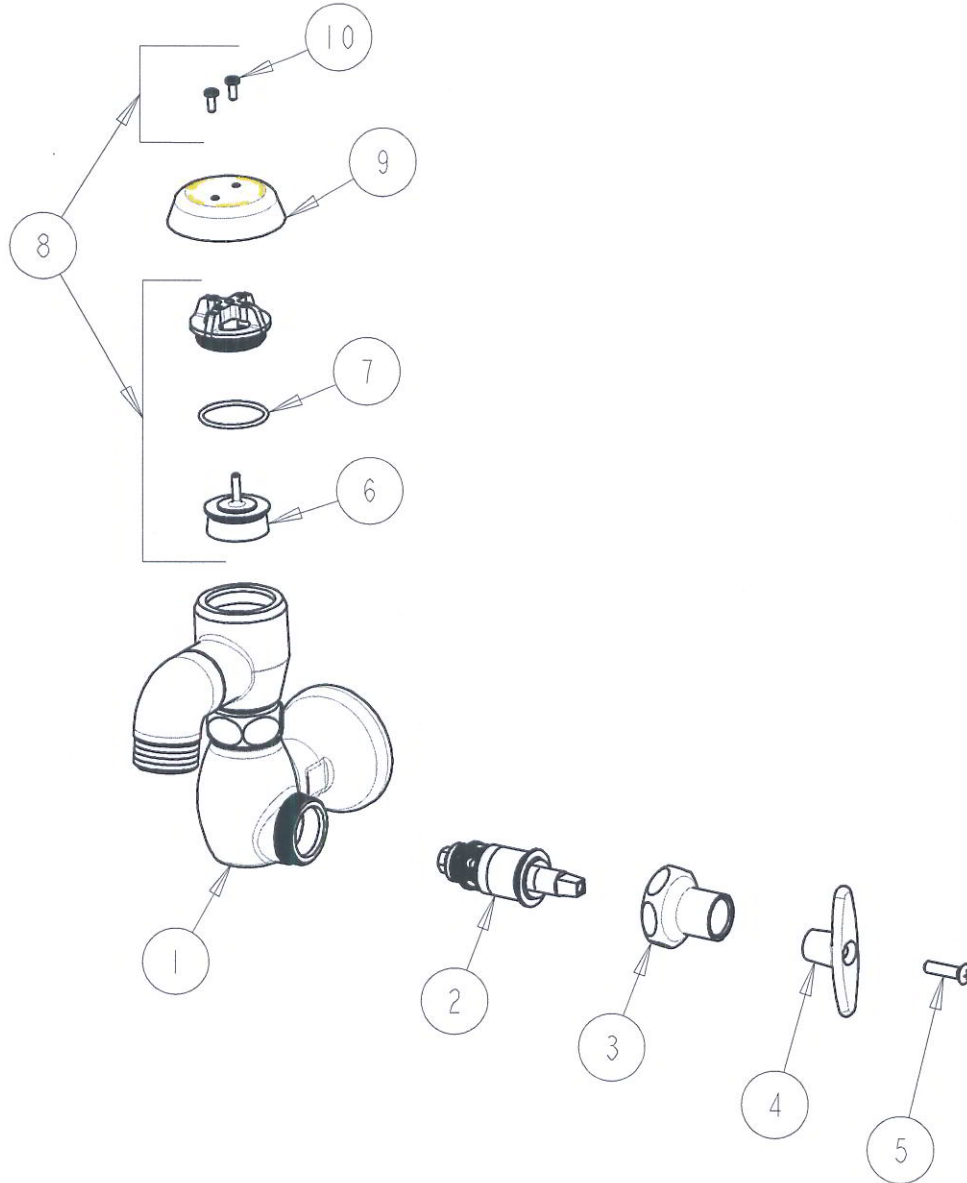
CHK:  REV:

FITTING NO.

952-CP

SUBMITTED MODEL NO.

ITEM NO.



ITEM	PART NO.	DESCRIPTION
1	---	NOT SOLD SEPARATELY
2	217-XTLHJKNF	CARTRIDGE, SLO-COMPRESSION
3	1-246JKCP	NUT, CAP LOOSE KEY 1-1/8-18 UNEF
4	293-006JKRCF	HANDLE, TEE INCLUDES SCREW
5	250-093JKRCF	SCREW
6	892-032KJKNF	VACUUM BREAKER DISC ASSEMBLY
7	80-007JKNF	O-RING
8	892-202KJKNF	VACUUM BREAKER REPAIR KIT
9	892-154JKCP	VACUUM BREAKER COVER
10	333-321JKNF	VACUUM BREAKER TORX SCREW

INSTALLATION INSTRUCTIONS FOR THE CHICAGO FAUCET COMPANY 892-1/2" and 893-3/8" VACUUM BREAKERS

PURPOSE:

THIS ANGLE TYPE VALVE IS DESIGNED TO PREVENT BACK-SIPHONAGE OF CONTAMINATED WATER INTO A RELIABLE WATER SUPPLY. THIS TYPE IS NOT RECOMMENDED FOR USE UNDER CONTINUOUS PRESSURE AND DESIGNED TO PROVIDE BACKFLOW PROTECTION DUE TO BACK PRESSURE, EVEN THOUGH A CHECK VALVE MAY BE PRESENT.

APPLICATIONS:

THE 892 AND 893 ATMOSPHERIC VACUUM BREAKERS SHOULD BE INSTALLED ON EVERY OUTLET WHERE A HOSE CAN BE ATTACHED. MAXIMUM TEMPERATURE IS 212°F AT 125 lbs. WORKING PRESSURE. AS COLD WATER DEVICE APPLICATION RANGE 33°F up to 110°F AND AS HOT WATER DEVICE ABOVE 110° F.

INSTALLATION:

ATMOSPHERIC VACUUM BREAKERS MUST BE INSTALLED BETWEEN THE DISCHARGE SIDE OF THE CONTROL VALVE OF THE FIXTURE AND THE OUTLET. FOR PROPER OPERATION THERE MUST BE NO VALVE BETWEEN THE VACUUM BREAKER AND THE OUTLET. ATMOSPHERIC VACUUM BREAKERS SHOULD BE LOCATED NOT LESS THAN SIX INCHES ABOVE FLOOD RIM OR OVERFLOW. THE FITTING SHOULD BE LOCATED WHERE IT CAN BE INSPECTED AND SERVICED AND WHERE A MOMENTARY SPILL OF WATER FROM AIR INLET WILL NOT BE A PROBLEM.

STANDARDS:

TESTED AND CERTIFIED UNDER ASSE / ANSI STANDARD 1001 FOR PIPE APPLIED ATMOSPHERIC TYPE VACUUM BREAKERS. MEETS OR EXCEEDS C.S.A. STANDARD B64, ANSI A112.18.1, CSAB125, AND ASSE 1001 COMPLIANT.

ATMOSPHERIC VACUUM BREAKER FOR ANTI-SIPHONAGE

892-1/2" NPT

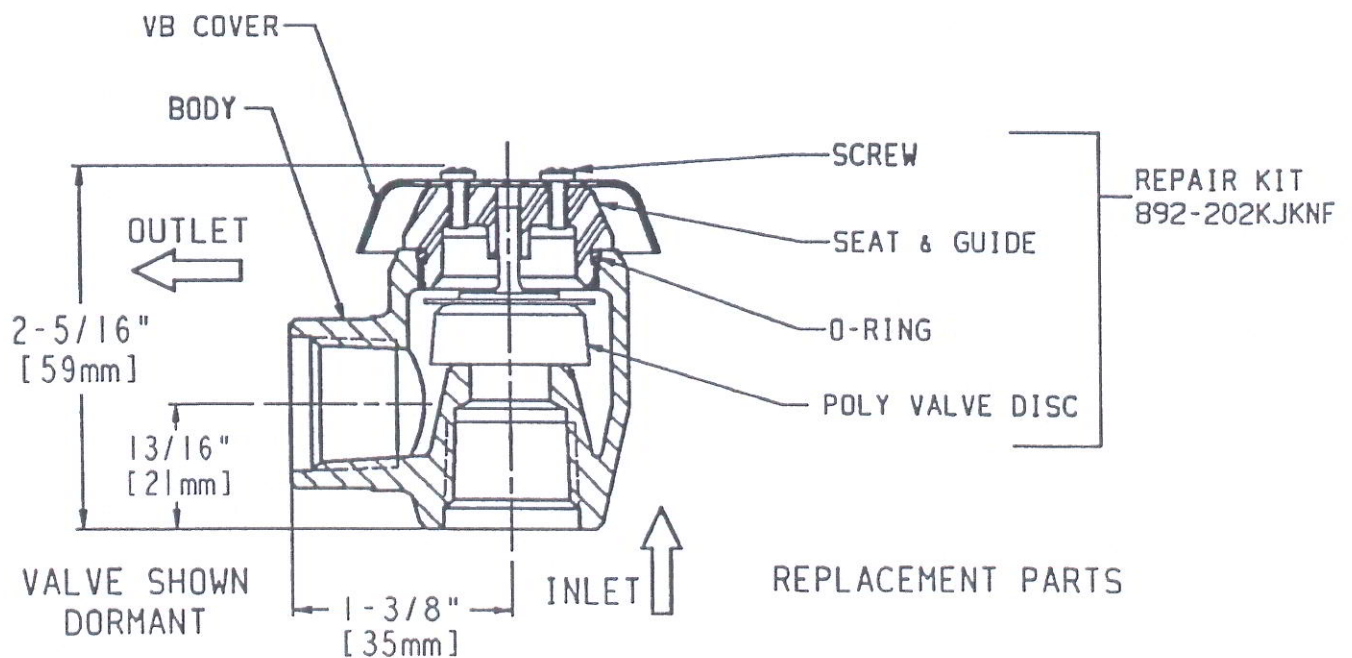
892 G-1/2" NPT

893-3/8" NPT

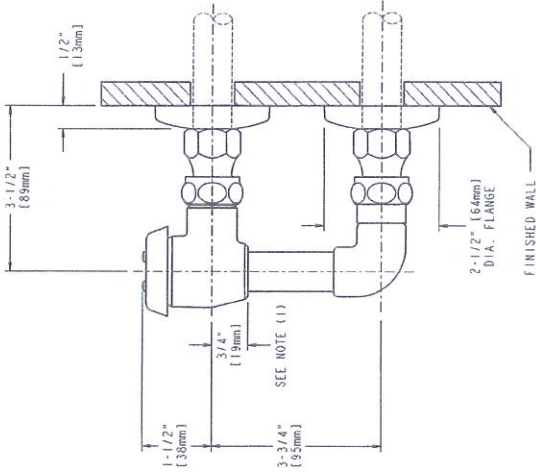
892-AD NPT

892 WXF-1/2" NPT

892-FD NPT

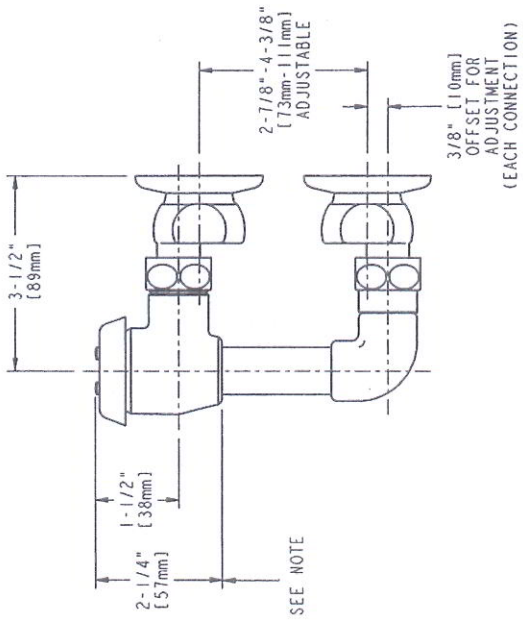


AVAILABLE IN CHROME PLATE WITH BODY POL-



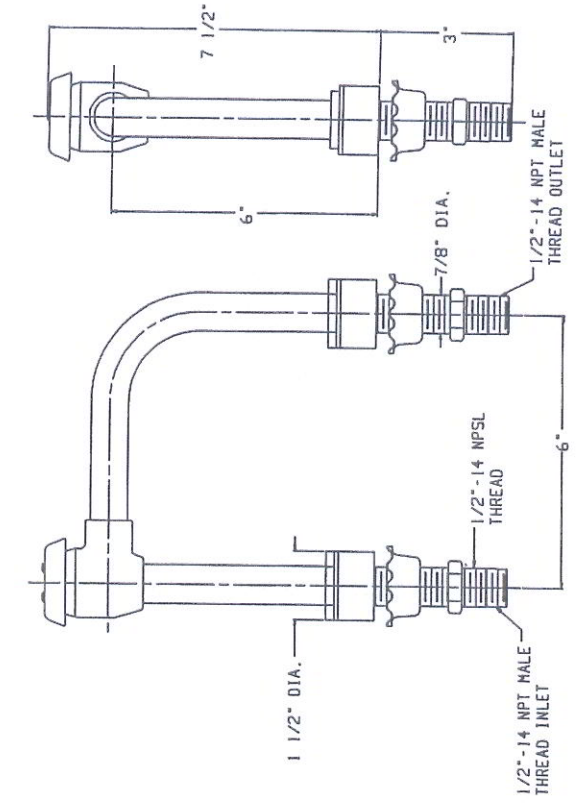
NOTE: FOR PROPER HEIGHT OF INSTALLATION
SEE LOCAL PLUMBING CODE REQUIREMENTS

892-WXF

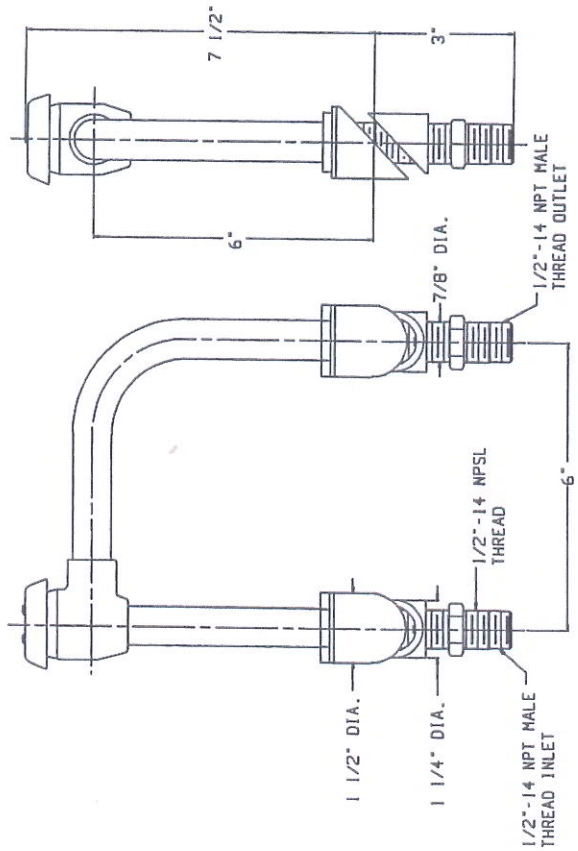


NOTE: FOR PROPER HEIGHT OF INSTALLATION
SEE LOCAL PLUMBING CODE REQUIREMENTS

892-G



892-FD

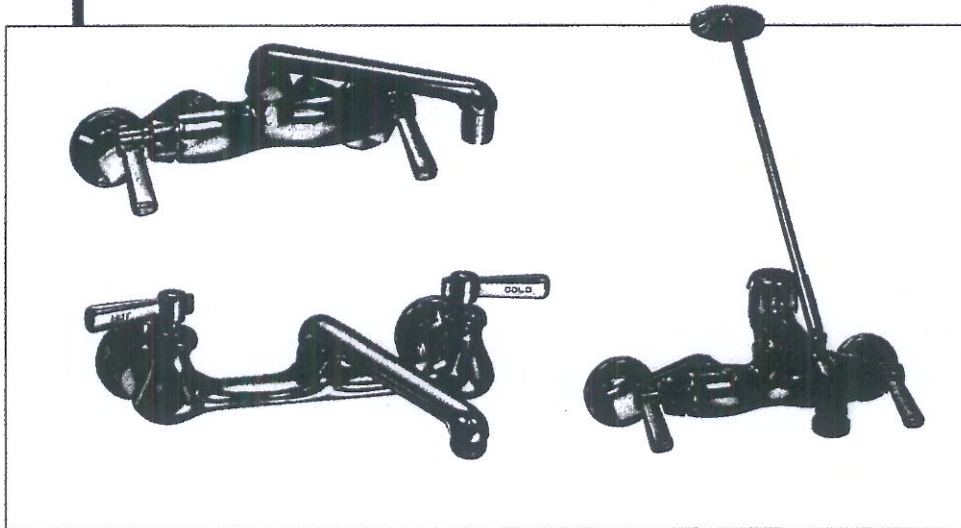


892-AD

**INSTALLATION INSTRUCTIONS FOR
WALL MOUNT – EXPOSED FAUCETS**

**INSTRUCCIONES DE INSTALACION PARA
GRIFOS EXPUESTOS – MONTADOS EN PARED**

**INSTRUCTIONS D'INSTALLATION
ROBINETTERIE MURALE EN SURFACE**



***INSTALLATION SHOULD BE IN ACCORDANCE WITH LOCAL PLUMBING
CODES. FLUSH ALL PIPES THOROUGHLY BEFORE INSTALLATION.***

***LA INSTALACION DEBE EFECTUARSE EN CONFORMIDAD CON LOS
CODIGOS LOCALES DE PLOMERIA. LAVE CON ABUNDANCIA DE AGUA
TODAS LAS TUBERIAS ANTES DE LA INSTALACION.***

***L'INSTALLATION DOIT ÊTRE CONFORME AUX CODES DE PLOMBERIE
LOCAUX. RINGER À FOND TOUTE LA TUYAUTERIE AVANT DE
PROCÉDER À L'INSTALLATION.***

**CHICAGO
FAUCETS** 

Last As Long As the Building



ADA Compliant

Wall Mount Single Sink Fittings

INSTALLATION INSTRUCTIONS

These installation instructions apply to all products with the following fitting base numbers: 4, 5, 7, 12, 13, 15, 293, 324, 332, 334, 387, 515, 932, 933, 934, 938, 939, 952, 998.

1. Tighten fitting securely to water supply using suitable pipe sealant.
2. For adjustment of cartridge refer to pages 5-8.
3. If fitting has removable spout refer to pages 9-10 for installation.
4. After completion of installation, remove aerator (if supplied) and flush lines and faucet for approximately one minute.

Accesorios de un Solo Fregadero Montados en Pared

INSTRUCCIONES DE INSTALACION

Estas instrucciones de instalación tienen validez para todos los productos que tengan los siguientes números de base de accesorios: 4, 5, 7, 12, 13, 15, 293, 324, 332, 334, 387, 515, 932, 933, 934, 938, 939, 952, 998.

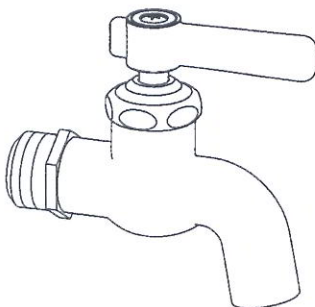
1. Apriete firmemente el accesorio al tubo de suministro de agua utilizando un material sellador apropiado para tuberías.
2. Para el ajuste del cartucho, lea las instrucciones de las páginas 5-8.
3. Si el accesorio tiene un surtidor de quita y pon, lea la páginas 9-10 donde hallará instrucciones para su instalación.
4. Después de completar la instalación, saque el aereador (si el accesorio vino con uno) y lave con abundancia de agua la tubería y el grifo durante un minuto aproximadamente.

Robinetterie murale pour évier (Type simple)

INSTRUCTIONS D'INSTALLATION

Les instructions ci-après s'appliquent à toutes les variantes des numéros d'appareil suivants: 4, 5, 7, 12, 13, 15, 293, 324, 332, 334, 387, 515, 932, 933, 934, 938, 939, 952 et 998.

1. Raccorder solidement l'appareil à la tuyauterie d'arrivée d'eau, en appliquant un produit d'étanchéité pour tuyau approprié.
2. Consulter les instructions de réglage de la cartouche, pages 5 et 8.
3. Si l'appareil comporte un bec amovible, consulter les instructions d'installation, pages 9 et 10.
4. Une fois l'installation terminée, enlever l'aérateur (le cas échéant) et rincer la tuyauterie et le robinet pendant environ une minute.



Wall Mount Sink Fittings

These installation instructions apply to all products with the following fitting base numbers: 65, 305, 444, 445, 509, 517, 540, 540LD, 631, 737, 752, 814, 815, 886, 897, 897SWXF, 917, 942, 943, 940, 956.

1. Assemble trim flanges over pipes.
2. Secure supply arms to piping. Position them as close as possible to desired location to mount faucet.
3. Flush lines.
4. Adjust supply arms to desired centers, make sure gaskets are in place.
5. Tighten arms to body with a 12" crescent wrench, make sure fitting is level.
6. For adjustment of cartridges refer to pages 5-8.
7. For installation of spout refer to pages 9-10.
8. After completion of installation, remove aerator (if supplied) and flush faucet for approximately one minute.

Accesorios de Fregadero Montados en Pared

INSTRUCCIONES DE INSTALACION

Estas instrucciones de instalación tienen validez para todos los productos que tengan los siguientes números de base de accesorios: 65, 305, 444, 445, 509, 517, 540, 540LD, 631, 737, 752, 814, 815, 886, 897, 897SWXF, 917, 942, 943, 940, 956.

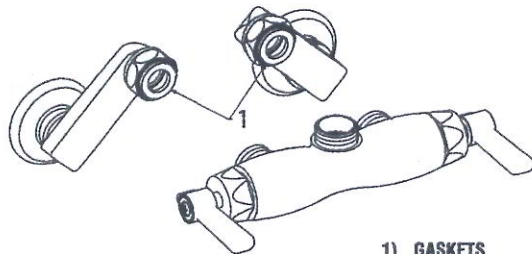
1. Monte los rebordes de guarnición sobre los tubos.
2. Fije los brazos de alimentación a la cañería. Colóquelos lo más cerca posible del lugar deseado para montar el grifo.
3. Lave la tubería con abundancia de agua.
4. Ajuste los brazos de alimentación a los centros deseados; asegúrese de que las empaquetaduras estén en su sitio.
5. Apriete los brazos al cuerpo con una llave ajustable de 12 pulgadas; asegúrese de que el accesorio quede nivelado.
6. Para el ajuste de los cartuchos, lea las instrucciones de las páginas 5-8.
7. Para la instalación del surtidor, lea las instrucciones de la páginas 9-10.
8. Después de completar la instalación, saque el aereador (si el accesorio vino con uno) y lave el grifo con abundancia de agua durante un minuto aproximadamente.

Robinetterie murale pour évier

INSTRUCTIONS D'INSTALLATION

Les instructions ci-après s'appliquent à toutes les variantes des numéros d'appareil suivants: 65, 305, 444, 445, 509, 517, 540, 540LD, 631, 737, 752, 814, 815, 886, 897, 897SWXF, 917, 942, 943, 940 et 956.

1. Poser les rosaces sur les tuyaux.
2. Raccorder les bras d'alimentation à la tuyauterie. Les placer le plus près possible de l'emplacement de montage du robinet.
3. Rincer la tuyauterie.
4. Régler les bras d'alimentation à l'entraxe désiré; s'assurer que les joints sont en place.
5. Visser les bras au corps de robinet avec une clé à molette de 12 po, tout en maintenant l'appareil de niveau.
6. Consulter les instructions de réglage des cartouches, pages 5 et 8.
7. Consulter les instructions d'installation du bec, pages 9 et 10.
8. Une fois l'installation terminée, enlever l'aérateur (le cas échéant) et rincer le robinet pendant environ une minute.



1) GASKETS
EMPAQUETADURAS
JOINTS

“Quatern” and Slo-Compression Cartridges

INSTALLATION INSTRUCTIONS

1. Always place a new cartridge in the closed position when installing into valve body.
2. TO INSTALL RIGHT HAND CARTRIDGE, push cartridge into body until it seals. Add cap nut and tighten HAND TIGHT. Add handle.
3. Hold handle in CLOSED POSITION and fully tighten cap nut to 15-25 FT. LB. torque.
4. TO INSTALL LEFT HAND CARTRIDGE, push cartridge into body until it seals. Add cap nut and tighten HAND TIGHT. Add handle.
5. Hold handle in OPEN POSITION and fully tighten cap nut to 15-25 FT. LB. torque.
6. Return handle in closed position and check handle alignment.

NOTE: Cartridges are stamped “LH” to designate left hand and “RH” to designate right hand.

Cartuchos “Quatern” y Cartuchos de Compresion Lenta

INSTRUCCIONES DE INSTALACION

1. Coloque siempre un cartucho nuevo en la posición cerrada al instalarlo en el cuerpo de la válvula.
2. PARA INSTALAR UN CARTUCHO DERECHO, empuje al cartucho hacia dentro del cuerpo hasta que quede completamente alojado en él. Añada la tuerca tapa y déle vuelta hasta que quede apretada al tacto. Añada el mango.
3. Sostenga el mango en la POSICION CERRADA y apriete totalmente la tuerca tapa con un efecto de torsión de 15-25 FT/LB (2-3.45 kilográmetros).
4. PARA INSTALAR UN CARTUCHO IZQUIERDO, empuje el cartucho hacia dentro del cuerpo hasta que quede completamente alojado en él. Añada la tuerca tapa y déle vuelta hasta que quede apretada al tacto. Añada el mango.
5. Sostenga el mango en la POSICION ABIERTA y apriete totalmente la tuerca tapa con un efecto de torsión de 15-25 FT/LB (2-3.45 kilográmetros).
6. Regrese el mango a la posición cerrada y compruebe la alineación del mango.

NOTA: Los cartuchos del lado izquierdo llevan la marca “LH” como designación y los cartuchos del lado derecho llevan la marca “RH” como designación.

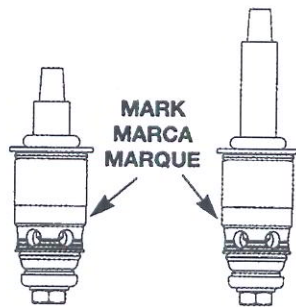
Cartouches "Quatern" et à compression lente

INSTRUCTIONS D'INSTALLATION

1. S'assurer que la cartouche neuve est en position fermée avant de la poser dans le corps de robinet.
2. POUR INSTALLER UNE CARTOUCHE DROITE, la pousser bien à fond dans le corps de robinet. Poser l'écrou à chapeau et le serrer AVEC LES DOIGTS. Poser la manette.
3. Tout en maintenant la manette EN POSITION FERMÉE, serrer l'écrou à chapeau entre 1.7-2.8 n-m.
4. POUR INSTALLER UNE CARTOUCHE GAUCHE, la pousser bien à fond dans le corps de robinet. Poser l'écrou à chapeau et le serrer AVEC LES DOIGTS. Poser la manette.
5. Tout en maintenant la manette EN POSITION OUVERTE, serrer l'écrou à chapeau entre 1.7-2.8 n-m.
6. Ramener la manette en position fermée et vérifier son alignement.

N.B. La marque LH poinçonnée sur la cartouche désigne GAUCHE; la marque RH désigne DROIT.

"QUATURN"



EXPOSED
1-100XT
LEFT HAND

1-099XT
RIGHT HAND

EXPUESTO
1-100XT
IZQUIERDO

1-099XT
DERECHO

À DÉCOUVERT
1-100XT
GAUCHE

1-099XT
DROIT

CONCEALED
377XTLH
LEFT HAND

377XTRH
RIGHT HAND

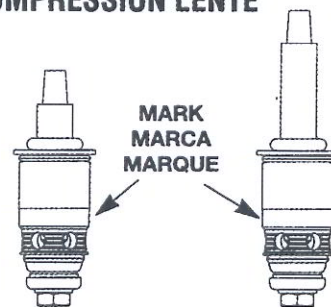
OCULTO
377XTLH
IZQUIERDO

377XTRH
DERECHO

DISSIMULÉ
377XTLH
GAUCHE

377XTRH
DROIT

SLO-COMPRESSION COMPRESSION LENTA COMPRESSION LENTE



EXPOSED
217XTLH
LEFT HAND

217XTRH
RIGHT HAND

EXPUESTO
217XTLH
IZQUIERDO

217XTRH
DERECHO

À DÉCOUVERT
217XTLH
GAUCHE

217XTRH
DROIT

CONCEALED
274XTLH
LEFT HAND

274XTRH
RIGHT HAND

OCULTO
274XTLH
IZQUIERDO

274XTRH
DERECHO

DISSIMULÉ
274XTLH
GAUCHE

274XTRH
DROIT

“Klo-Self” (Cam-in-Cap) Handle Type Self-Closing Operating Cartridges

INSTALLATION INSTRUCTIONS

1. Place cartridge into body and tighten cap nut by hand.
2. Add handle and set in desired position.
3. Hold handle in place and fully tighten cap nut with wrench to 15-25 FT. LB. torque.

NOTE: HOT AND COLD UNITS ARE IDENTICAL.

Cierre Automatico “Klo-Self” (Arbol en Tapa) Cartuchos de Operacion de Cierre Automatico Tipo Mango

INSTRUCCIONES DE INSTALACION

1. Coloque el cartucho dentro del cuerpo y apriete la tuerca tapa con la mano.
2. Añada el mango y ajústelo en la posición deseada.
3. Sostenga el mango en su lugar y apriete totalmente la tuerca tapa con llave con un efecto de torsión de 15-25 FT/LB (2-3.45 kilográmetros).

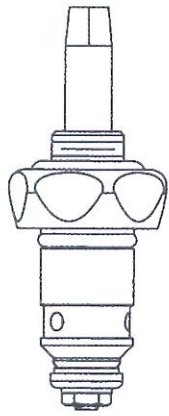
NOTA: LAS UNIDADES DE AGUA FRIA Y AGUA CALIENTE SON IDENTICAS.

Cartouches à auto-fermeture à manette “Klo-Self” (Cam-in-Cap)

INSTRUCTIONS D'INSTALLATION

1. Placer la cartouche dans le corps du robinet et serrer l'écrou à chapeau avec les doigts.
2. Poser la manette dans la position désirée.
3. Tout en maintenant la manette en place, serrer l'écrou à chapeau entre 1.7-2.8 n-m à l'aide d'une clé.

N.B. LES CARTOUCHES POUR EAU CHAUDE ET POUR EAU FROIDE SONT IDENTIQUES.

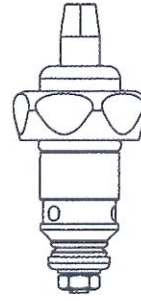


825X

WITH
ESCUTCHEON

CON
ESCUDETE

AVEC ROSACE



826X

WITHOUT
ESCUTCHEON

SIN
ESCUDETE

SANS ROSACE

Ceramic Cartridges

INSTALLATION INSTRUCTIONS

REFER TO PAGE 10 FOR DRAWING ILLUSTRATION.

1. To install right hand cartridge, insert cartridge into body until it seats. Place cap nut over stem and tighten hand tight.
2. Rotate to closed position. Add handle and rotate counter clockwise to desired position. Using handle or suitable tool, fully tighten cap nut to 25 ft. lbs. while maintaining stem position.
3. To install left hand cartridge, insert cartridge into body until it seats. Place cap nut over stem and tighten hand tight.
4. Rotate to open position. Add handle and rotate counter clockwise to desired "open" position.
5. Using handle or suitable tool, fully tighten cap nut to 25 ft. lbs. while maintaining stem position.

NOTE: Right hand ceramic cartridges have a stem groove.

Cartuchos de cerámica

INSTRUCCIONES DE INSTALACIÓN

EN LA PAGINA 10 HALLARÁ LA ILUSTRACIÓN CON EL DIBUJO.

1. Para instalar un cartucho derecho, inserte el cartucho dentro del cuerpo hasta que quede bien alojado en él. Coloque la tuerca tapa sobre la espiga y apriete con la mano.
2. Gírelo hacia la posición cerrada. Añada el mango y hágalo girar hacia la izquierda hasta la posición deseada. Usando el mango o una herramienta apropiada, apriete totalmente la tuerca tapa con un efecto de torsión de 25 FT/LB (3.45 kilográmetros) mientras mantiene la posición de la espiga.
3. Para instalar un cartucho izquierdo, inserte el cartucho dentro del cuerpo hasta que quede bien alojado en él. Coloque la tuerca tapa sobre la espiga y apriétela con la mano.
4. Hágalo girar hacia la posición abierta. Añada el mango y hágalo girar hacia la izquierda hasta la posición "abierta" deseada.
5. Usando el mango o una herramienta apropiada, apriete totalmente la tuerca tapa con un efecto de torsión de 25 FT/LB (3.45 kilográmetros) mientras mantiene la posición de la espiga.

NOTA: Los cartuchos de cerámica del lado derecho tienen una acanaladura en la espiga.

Cartouches en céramique

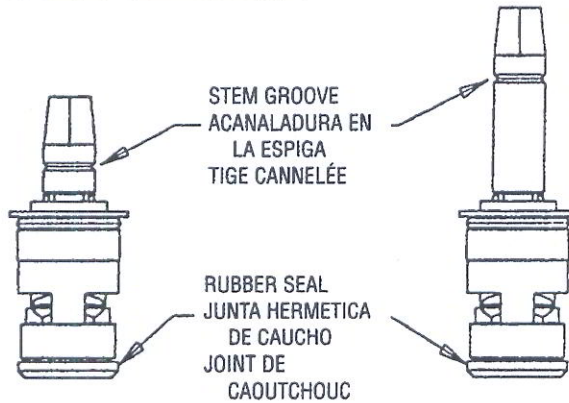
INSTRUCTIONS D'INSTALLATION

SE REFERER A LA PAGE 10 POUR LE SCHEMA D'ILLUSTRATION.

1. Pour installer une cartouche à droite, insérez la cartouche dans le corps jusqu'à ce qu'elle soit en place. Placez l'écrou du haut sur la tige et serrez à la main.
2. Tournez en position fermée. Ajoutez la poignée et faites-la tourner dans le sens contraire des aiguilles d'une montre jusqu'à la position voulue. A l'aide de la poignée ou d'un outil adéquat, serrez à fond l'écrou du haut à 25 PIEDS/LB (3,45 kg) tout en conservant la position de la tige.
3. Pour installer une cartouche à gauche, insérez la cartouche dans le corps jusqu'à ce qu'elle soit en place. Placez l'écrou du haut sur la tige et serrez à la main.
4. Tournez en position ouverte. Ajoutez la poignée et faites-la tourner dans le sens contraire des aiguilles d'une montre jusqu'à la position voulue.
5. A l'aide de la poignée ou d'un outil adéquat, serrez à fond l'écrou du haut à 25 PIEDS/LB (3,45 kg) tout en conservant la position de la tige.

REMARQUE : les cartouches de droite en céramique possèdent une tige cannelée.

CERAMIC CARTRIDGE
CARTUCHO DE CERÁMICA
CARTOUCHES EN CÉRAMIQUE



EXPOSED
 1-099XK
 LEFT HAND
 1-100XK
 RIGHT HAND

CONCEALED
 377XKLH
 LEFT HAND
 377XKRH
 RIGHT HAND

EXPUESTO
 1-099XX
 LADO IZQUIERDO
 1-100XK
 LADO DERECHO

OCULTO
 377XXLH
 LADO IZQUIERDO
 377XKRH
 LADO DERECHO

A DECOUVERT
 1-099XX
 GAUCHE
 1-100XX
 DROIT

DISSIMULE
 377XXLH
 GAUCHE
 377XXRH
 DROIT

*NOTE: Right hand ceramic cartridges have a stem groove.

*NOTA: Los cartuchos de cerámica del lado derecho tienen una acanaladura en la espiga.

*REMARQUE: les cartouches de droite en céramique possèdent une tige cannelée.

SPOUTS Rigid/Swing Conversion Gooseneck and Vacuum Breaker Gooseneck

INSTALLATION INSTRUCTIONS

1. If spout nut is NOT assembled to spout, remove outlet and assemble spout nut over outlet end, then run spout nut down until it sits on shoulder of spout joint. Reassemble outlet.
2. FOR RIGID SPOUTS: Place 1/8" thick plastic washer into spout base bore and discard plastic split washers.
FOR SWING SPOUTS: Assemble plastic split washers to spout joint and discard 1/8" thick plastic washer.
3. Assemble spout assembly into spout base and tighten spout nut.

Surtidores Conversion Rigida/Giratoria Cuello de Cisne y Cuello de Cisne Rompedor de Vacio

INSTRUCCIONES DE INSTALACION

1. Si la tuerca del surtidor NO ESTA montada en el surtidor, saque la boquilla de salida y monte la tuerca del surtidor pasándola sobre el extremo de la boquilla de salida; seguidamente deslice la tuerca del surtidor hacia abajo hasta que se aloje en la pestaña de la junta del surtidor. Vuelva a montar la boquilla de salida.
2. PARA SURTIDORES RIGIDOS: Coloque una arandela plástica de 32 mm en el diámetro interior de la base del surtidor y deseche las arandelas plásticas partidas.
PARA SURTIDORES GIRATORIOS: Monte las arandelas plásticas partidas en la junta del surtidor y deseche la arandela plástica de 32 mm de espesor.
3. Monte el conjunto del surtidor en la base del surtidor y apriete la tuerca del surtidor.

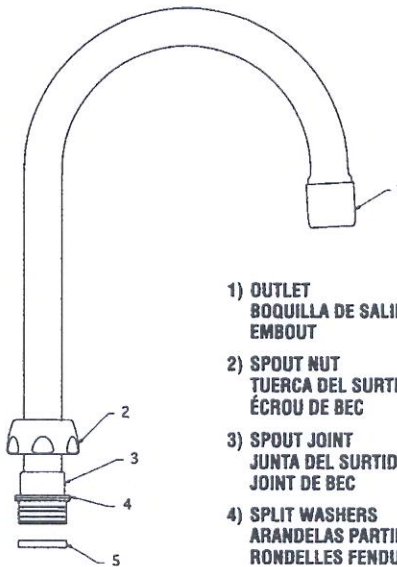
Becs de robinet montages fixe et pivotant Col-de-cygne et brise-vide/col-de-cygne

INSTRUCTIONS D'INSTALLATION

1. Si l'écrou du robinet N'EST PAS enfilé sur le bec, enlever l'embout et glisser l'écrou le long du bec jusqu'au joint. Replacer l'embout.
2. **BEC RIGIDE:** Insérer une rondelle de caoutchouc de 32 mm po d'épaisseur dans l'alésage du socle du bec. Jeter les rondelles fendues de plastique.

BEC PIVOTANT: Insérer les rondelles fendues en plastique dans le joint du bec. Jeter la rondelle de caoutchouc de 32 mm po d'épaisseur.

3. Monter le bec dans son socle et serrer l'écrou du bec.



- 1) **OUTLET**
BOQUILLA DE SALIDA
EMBOUT
- 2) **SPOUT NUT**
TUERCA DEL SURTIDOR
ÉCROU DE BEC
- 3) **SPOUT JOINT**
JUNTA DEL SURTIDOR
JOINT DE BEC
- 4) **SPLIT WASHERS**
ARANDELAS PARTIDAS
RONDELLES FENDUES
- 5) **1/8" THICK WASHER**
ARANDELA DE 32 MM DE ESPESOR
RONDELLE DE 32 MM PO D'ÉPAISSEUR

Care and Maintenance

All Chicago Faucet fittings are designed and engineered to meet or exceed industry performance standards.

Care should be taken cleaning this product. Do not use abrasive cleaners, chemicals or solvents as they can result in surface damage.

Use mild soap with warm water for cleaning and protecting the life of Chicago Faucet fittings.

Cuidado y Mantenimiento

Todos los accesorios de Chicago Faucet son diseñados y fabricados para satisfacer o superar las normas de calidad de la industria.

Se debe tener cuidado al limpiar este producto. No use limpiadores abrasivos, químicos o solventes, puesto que pueden dañar la superficie.

Use un jabón suave y agua tibia para limpiar y proteger la vida útil de los accesorios de Chicago Faucet.

Entretien

Tous les produits de robinetterie Chicago Faucet sont conçus et fabriqués de manière à atteindre et dépasser les normes de l'industrie.

Le nettoyage de ce produit appelle certaines précautions. Ne pas utiliser de nettoyeur abrasif, de produit chimique ni de solvant: le fini du produit pourrait être altéré.

Nettoyer les produits de robinetterie Chicago Faucet avec de l'eau tiède et un savon doux afin de prolonger leur vie utile.

1-800-TEC-TRUE

For installation questions or other technical assistance call,
1-800-TEC-TRUE.

Si tiene alguna pregunta respecto a la instalación
o si desea asistencia técnica llame al
1-800-TEC-TRUE

Pour toute question concernant l'installation
ou d'autres détails techniques, composez
1-800-TEC-TRUE

CHICAGO FAUCET LIMITED WARRANTY

The CHICAGO FAUCET COMPANY ("Chicago Faucets") extends to the original consumer the following warranties for Genuine Chicago Faucets manufactured products and components, or other components under the Chicago Faucets Warranties, (collectively, the "Products") used in commercial or residential applications:

Lifetime Faucet Warranty The "Faucet", defined as any metal cast, forged, stamped or formed portion of the Product, not including electronic or moving parts or water restricting components, or other components covered under the Chicago Faucet warranties, is warranted against manufacturing defects for the life of the Product.

Five Year Cartridge Warranty - Commercial The "Cartridge", defined as the metal portion of any Product typically referred to by the product numbers containing 1-099X, 1-100X, 377X, 217X and 274X, excluding any rubber or plastic components, is warranted against manufacturing defects for a period of five (5) years from the date of Product purchase. All Cartridges included in Chicago Faucet's Single Control or Shower Products are also warranted against manufacturing defects for a period of five (5) years from the date of Product purchase.

Lifetime Cartridge Warranty - Residential For products used in residential applications, the "Cartridge", as described above, is warranted for the lifetime of the faucet.

One Year Finish Warranty - Commercial For Products used in commercial applications, the finish of the Product is warranted against manufacturing defects for a period of one (1) year from the date of Product purchase.

Five Year Finish Warranty - Residential For Products used in residential applications, the finish of the Product is warranted against manufacturing defects for a period of five (5) years from the date of Product purchase.

Other Warranties All other Products not covered above are warranted against manufacturing defects for a period of one (1) year from the Product purchase.

Restrictions Apply

For complete warranty details, contact your Chicago Faucets sales representative or Chicago Faucets, Consumer Affairs, 2100 S. Clearwater Drive, Des Plaines, Illinois, 60018.

GARANTIA LIMITADA DE CHICAGO FAUCETS

La CHICAGO FAUCET COMPANY ("Chicago Faucets") le otorga al comprador original las siguientes garantías para los productos y componentes auténticos fabricados por Chicago Faucets o demás componentes vendidos bajo las Garantías de Chicago Faucets (colectivamente denominados los "Productos") utilizados en aplicaciones comerciales o residenciales:

Garantía de los Grifos de por vida El "Grifo" (definido como cualquier porción fundida, forjada, estampada o formada en metal del Producto, sin incluir piezas electrónicas o móviles ni tampoco los componentes que restrinjan el flujo del agua u otros componentes cubiertos bajo otras garantías de Chicago Faucets) está garantizado contra defectos de fabricación durante toda la vida del Producto.

Garantía de los Cartuchos por cinco años - Aplicaciones Comerciales El "Cartucho" (definido como la porción metálica de cualquier Producto al que se le denomina típicamente por los números de producción que contienen 1-099X, 1-100X, 377X, 217X y 274X, excluyendo cualquier componente de plástico o de caucho) está garantizado contra defectos de fabricación durante un período de cinco (5) años contados a partir de la fecha de compra del Producto. Todos los Cartuchos incluidos en los Productos para Ducha (Shower) o los Productos de un Solo Control (Single Control) de Chicago Faucets también están garantizados contra defectos de fabricación durante un período de cinco (5) años contados a partir de la fecha de compra del Producto.

Garantía de los Cartuchos de por vida - Aplicaciones Residenciales Para los Productos usados en aplicaciones residenciales, el "Cartucho", tal como se le describió en el párrafo anterior, está garantizado durante toda la vida del Grifo.

Garantía del Acabado por un año - Aplicaciones Comerciales Para los Productos usados en aplicaciones comerciales, el acabado del Producto está garantizado contra defectos de fabricación durante un período de un (1) año contado a partir de la fecha de compra del Producto.

Garantía del Acabado por cinco años - Aplicaciones Residenciales Para los Productos usados en aplicaciones residenciales, el acabado del Producto está garantizado contra defectos de fabricación durante un período de cinco (5) años contados a partir de la fecha de compra del Producto.

Otras Garantías Todos los demás Productos que no están cubiertos por las disposiciones anteriores están garantizados contra defectos de fabricación durante un período de un (1) año contado a partir de la fecha de compra del Producto.

Pueden Aplicarse Restricciones

Para obtener detalles completos sobre las garantías, póngase en contacto con su representante de ventas de Chicago Faucets o directamente con Chicago Faucets, enviando una carta a: Consumer Affairs, 2100 S. Clearwater Drive, Des Plaines, Illinois, 60018

GARANTIE LIMITÉE DU ROBINET CHICAGO FAUCETS

CHICAGO FAUCET COMPANY ("Chicago Faucets") offre au consommateur original les garanties suivantes pour les produits et éléments authentiques fabriqués par Chicago Faucets, ou les autres éléments en les Garanties de Chicago Faucets, (ensemble, les "Produits") utilisés à des fins commerciales ou résidentielles:

Garantie à vie du robinet Le "Robinet", défini comme aucun partie en métal coulé, forgé, matricé ou ouvré du Produit, à l'exclusion des pièces électroniques ou mobiles ainsi que les éléments de restriction d'eau ou les éléments mentionnés en les garanties de Chicago Faucet, est garantie à vie contre tout vice de fabrication.

Garantie de cinq ans de la cartouche - utilisations commerciales La "Cartouche", défini comme la partie en métal d'aucun Produit avec les nombres du produit que contiennent 1-099X, 1-100X, 377X, 217X et 274X, à l'exclusion des éléments de caoutchouc ou de plastique, est garantie contre tout vice de fabrication pour une période de cinq (5) ans à compter de la date d'achat du Produit. Toutes les cartouches comprises en Produits contrôle seul ou Produits pour la douche sont garanties aussi contre tout vice de fabrication pour une période de cinq (5) ans à compter de la date d'achat du Produit.

Garantie à vie de la cartouche - utilisations résidentielles Pour les produits à usage résidentiel, la "Cartouche", défini ci-dessus, est garantie à vie contre tout vice de fabrication.

Garantie d'un an - utilisations commerciales La finition des Produits utilisés à des fins commerciales est garantie contre tout vice de fabrication pour une période d'un (1) an à compter de la date d'achat du Produit.

Garantie de cinq ans - utilisations résidentielles La finition des Produits à usage résidentiel est garantie contre tout vice de fabrication pour une période de cinq (5) ans à compter de la date d'achat du Produit.

Autres garanties Les Produits qui ne sont pas mentionnés ci-dessus sont garantis contre tout vice de fabrication pour une période d'un (1) an à compter de la date d'achat du Produit.

S'appliquer les restrictions

Pour obtenir des renseignements détaillés sur les garanties, contactez votre revendeur Chicago Faucets ou Chicago Faucets, Consumer Affairs, 2100 S. Clearwater Drive, Des Plaines, Illinois 60018.

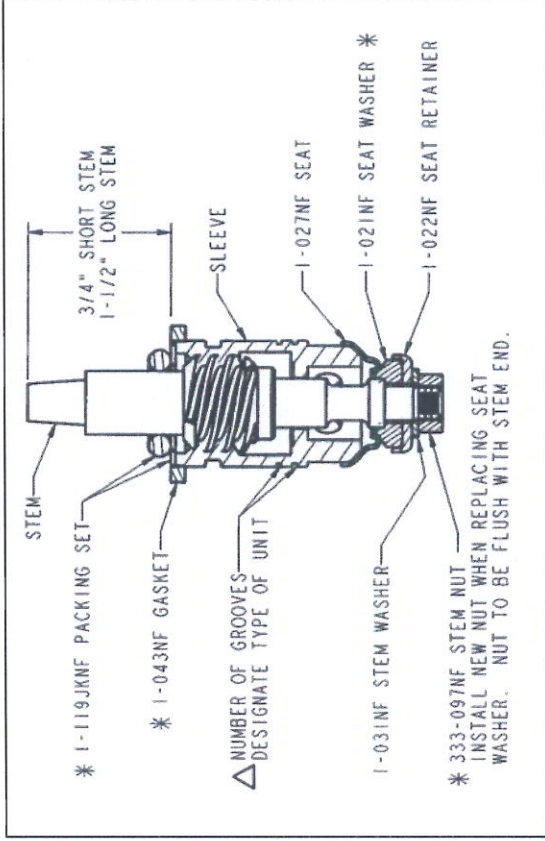


The Chicago Faucet Company
2100 Clearwater Drive
Des Plaines, IL 60018-5999
Phone 847/803-5000 • Fax: 847/298-3101

Last As Long As the Building

Chicago Faucet - STYLE 'X'

- * RENEWING KIT 1277D for Quatum and Slo-Compression Units
Kit contains parts marked with an asterisk



CAUTION: CLOSE UNIT BEFORE INSTALLING IN FAUCET BODY

- ✓ Before installing a new cartridge flush lines completely.
- ✓ Always have a new cartridge with the seat washer compressed against the seat (closed position) when installing into valve body.
- ✓ To install **RIGHT HAND cartridge**: (1) Push cartridge into body until it seats, (2) Add cap nut and tighten **HAND TIGHT**, (3) Add handle and rotate it to the position desired (cartridge must remain closed), (4) Now, fully tighten cap nut to 25 ft. lbs. torque.
- ✓ To install **LEFT HAND cartridge**: (1) Push cartridge into body until it seats, (2) Add cap nut and tighten **HAND TIGHT**, (3) Add handle and rotate it so that the seat washer is away from the seat (open) and rotate the handle to the position desired, (4) Fully tighten cap nut to 25 ft. lbs. torque. (5) Return handle to closed position.
- ✓ Cap nut must be tightened to 25 ft. lbs. minimum so that cartridge will not spin when the handle is turned in open position.
- ✓ Clean up faucet finish with **SOAP AND WATER ONLY**.

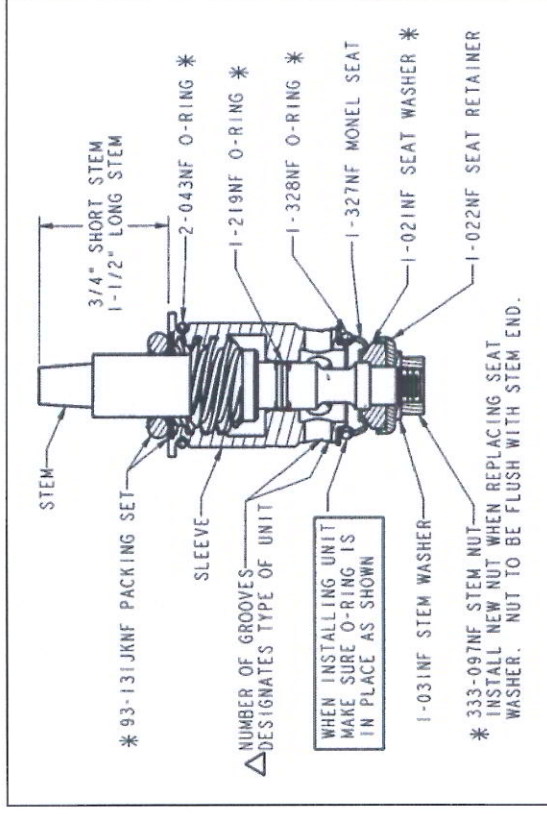
GROOVE INDEX

- 1 GROOVE - RIGHT HAND, Quatum Cartridge
- 2 GROOVES - LEFT HAND, Quatum Cartridge
- 3 GROOVES - RIGHT HAND, Slo-Compression Cartridge
- 4 GROOVES - LEFT HAND, Slo-Compression Cartridge

TAG 10 - 12/12/01

Chicago Faucet - STYLE 'XT'

- * RENEWING KIT 1277D for Quatum and Slo-Compression Units
Kit contains parts marked with an asterisk



CAUTION: CLOSE UNIT BEFORE INSTALLING IN FAUCET BODY

- ✓ Before installing a new cartridge flush lines completely.
- ✓ Always have a new cartridge with the seat washer compressed against the seat (closed position) when installing into valve body.
- ✓ To install **RIGHT HAND cartridge**: (1) Push cartridge into body until it seats, (2) Add cap nut and tighten **HAND TIGHT**, (3) Add handle and rotate it to the position desired (cartridge must remain closed), (4) Now, fully tighten cap nut to 25 ft. lbs. torque.
- ✓ To install **LEFT HAND cartridge**: (1) Push cartridge into body until it seats, (2) Add cap nut and tighten **HAND TIGHT**, (3) Add handle and rotate it so that the seat washer is away from the seat (open) and rotate the handle to the position desired, (4) Fully tighten cap nut to 25 ft. lbs. torque. (5) Return handle to closed position.
- ✓ Cap nut must be tightened to 25 ft. lbs. minimum so that cartridge will not spin when the handle is turned in open position.
- ✓ Clean up faucet finish with **SOAP AND WATER ONLY**.

GROOVE INDEX

- 1 GROOVE - RIGHT HAND, Quatum Cartridge
- 2 GROOVES - LEFT HAND, Quatum Cartridge
- 3 GROOVES - RIGHT HAND, Slo-Compression cartridge
- 4 GROOVES - LEFT HAND, Slo-Compression Cartridge

TAG 10 - 12/12/01

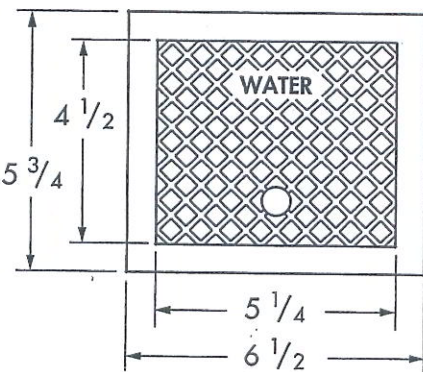
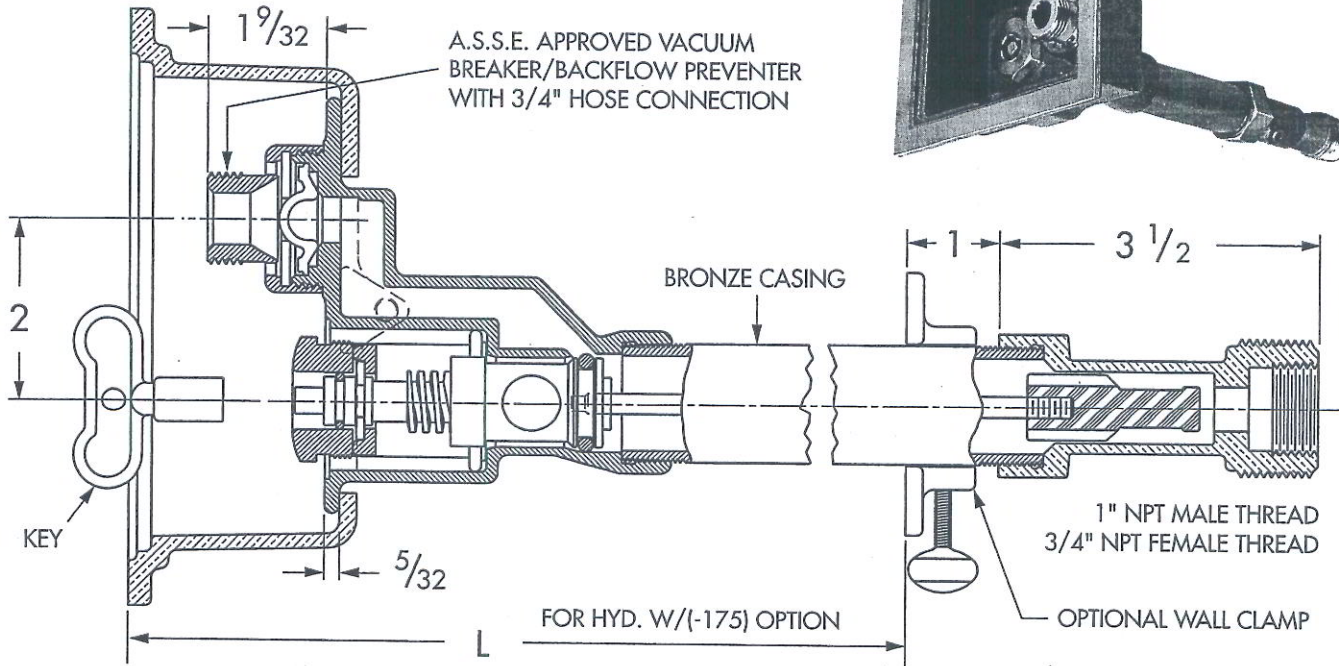
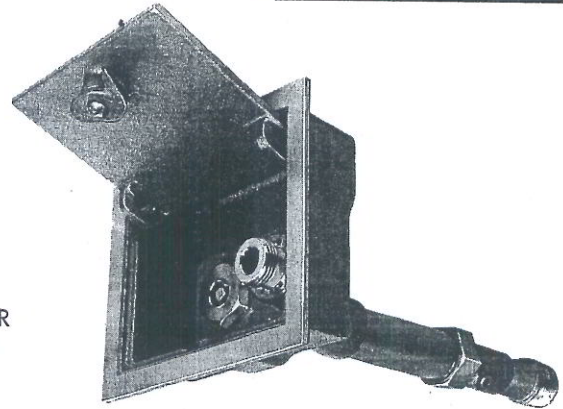
Wall Hydrants w/Box

WADE

P-7A

8600,175 3/4" non-freeze wall hydrant with straight inlet connection, anti-siphon backflow preventer, bronze casing and nickel bronze box. Box adds two inches to wall thickness. Specify wall thickness. (See chart below)

Example: For 8" wall specify: 8600L6+2.



WALL OPENING 6" X 5"

SPECIFY WALL THICKNESS TO WITHIN 1" OF REQUIRED (6" MIN. WALL THICKNESS)

OPTIONS

- Description
- Wall Clamp

Cat. No.	Hose Size	Wall "L" Dim., In.	Wt. Lbs.
<input type="checkbox"/> 8600L,175	3/4"	6-8	12
<input type="checkbox"/> 8600L,175	3/4"	10-12-14	13
<input type="checkbox"/> 8600L,175	3/4"	16-18	13
<input type="checkbox"/> 8600L,175	3/4"	20-22-24	14
<input type="checkbox"/> 8600L,175	3/4"	26	15

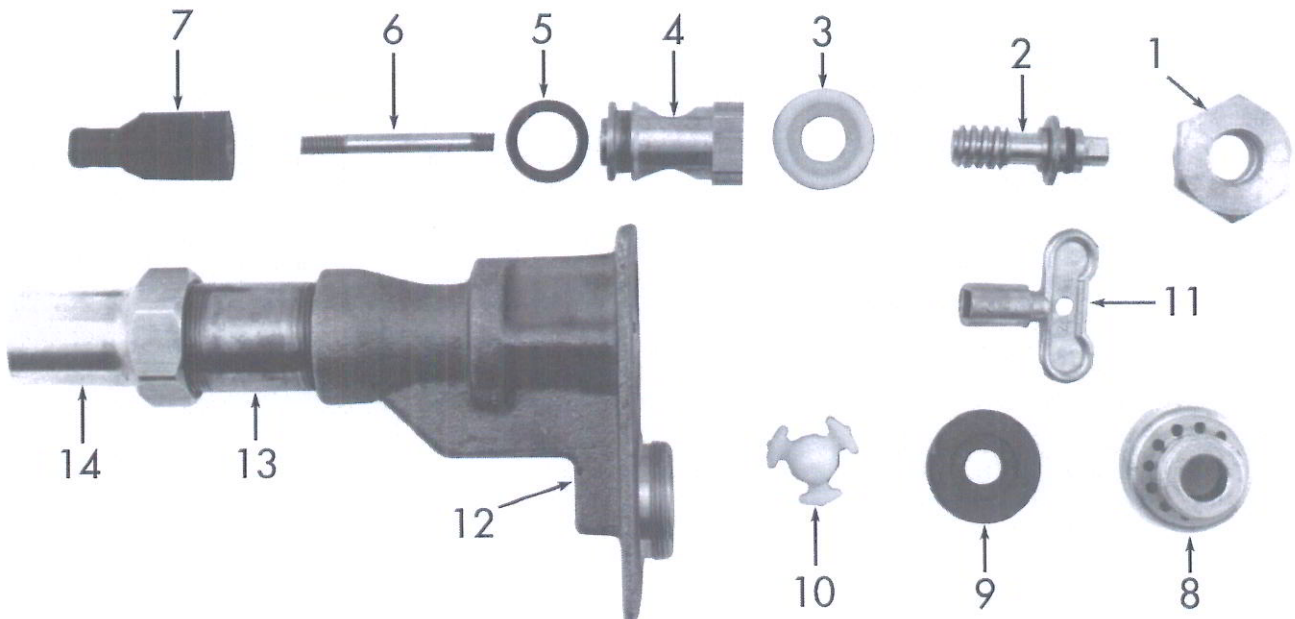
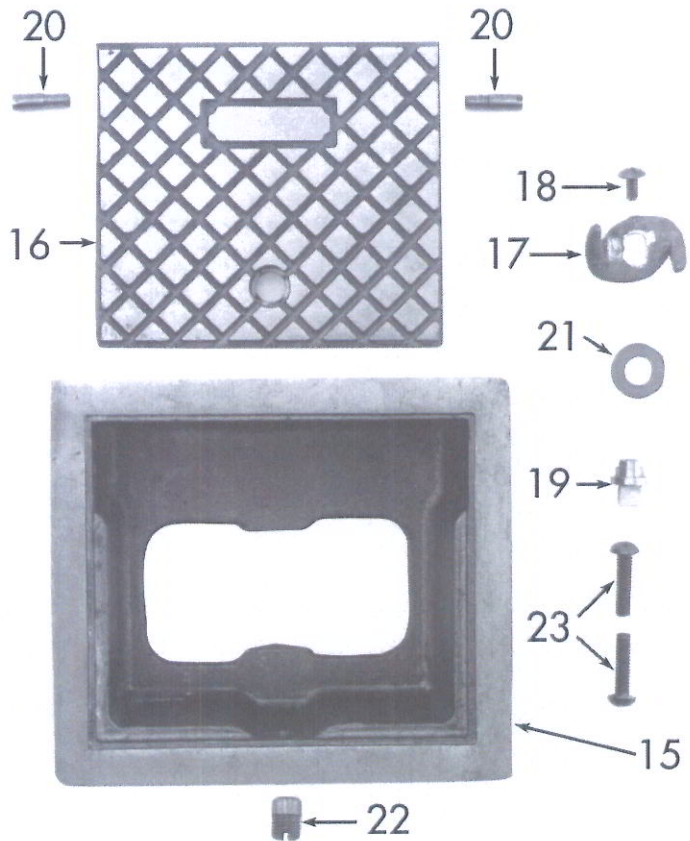
Cat. No.	Wall "L" Thickness, In.
8600,L4+2,, 3/4",175	6
8600,L6+2,, 3/4",175	8
8600,L8+2,, 3/4",175	10
8600,L10+2,, 3/4",175	12
8600,L12+2,, 3/4",175	14
8600,L14+2,, 3/4",175	16
8600,L16+2,, 3/4",175	18
8600,L18+2,, 3/4",175	20
8600,L20+2,, 3/4",175	22
8600,L22+2,, 3/4",175	24
8600,L24+2,, 3/4",175	26

8600 Wall Hydrant (4" - 12" Wall Thickness)
 8600, 175 Wall Hydrant/Box (6" - 14" Wall Thickness)

REPAIR KITS

Items	Description	UPC No.
2,3,5,7,11	Hydrant, Rpr, Kit, WKO1, Min..	357629
1 -5,7-11	Hydrant, Rpr, Kit, WKO2, Maj...	357636
11	Hydrant, Kit, 1 ea, T-Handle	230731

Items	Description	Material
1	Stem Bushing Nut.....	Brass
2	Drive Screw Assembly.....	Brass
3	Retainer Seal	Nylon
4	Drive Sleeve	Brass
5	O-Ring (Drive Sleeve)	Neoprene
6	Operating Rod (1/4" Dia.) ...	Stainless Steel
7	Plunger	Neoprene
8	Hose Piece	Brass
9	Diverter Diaphragm	Silicone
10	Diverter Check Spider	Nylon
11	T-Handle	Zinc Die Cast
12	Head	Bronze
13	Casing	Bronze
14	Valve Body	Brass
15	Box	Bronze
16	Lid	Bronze
17	Latch Pawl	Bronze
18	Latch Screw.....	Brass
19	Latch Stem	Brass
20	Hinge Pins (2 Req'd)	Brass
21	Latch Washer (2 Req'd)	Nylon
22	Catch Screw	Brass
23	Securing Screws (2 Req'd)..	Brass



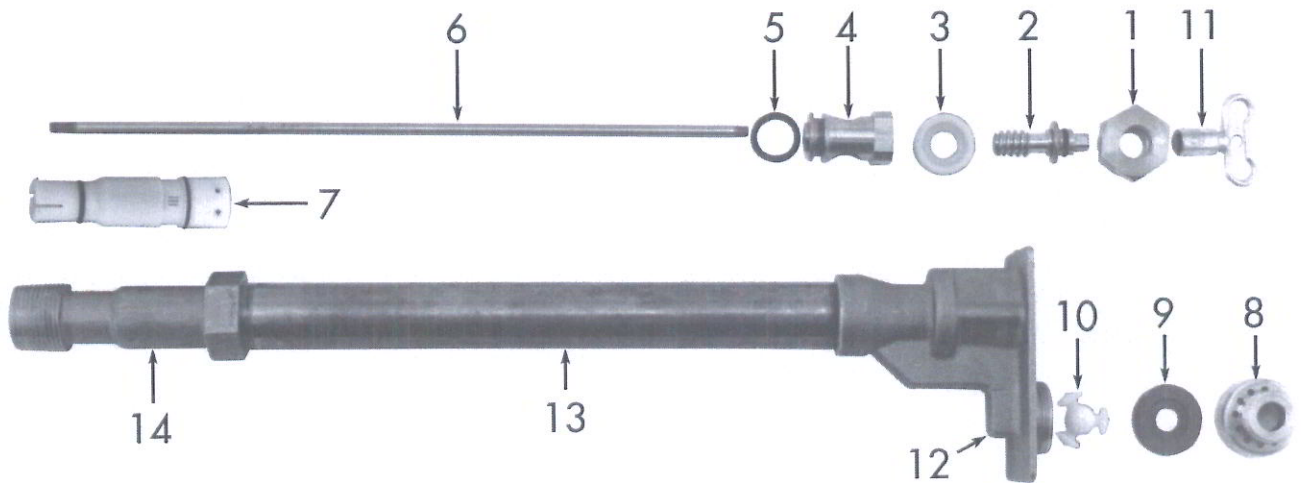
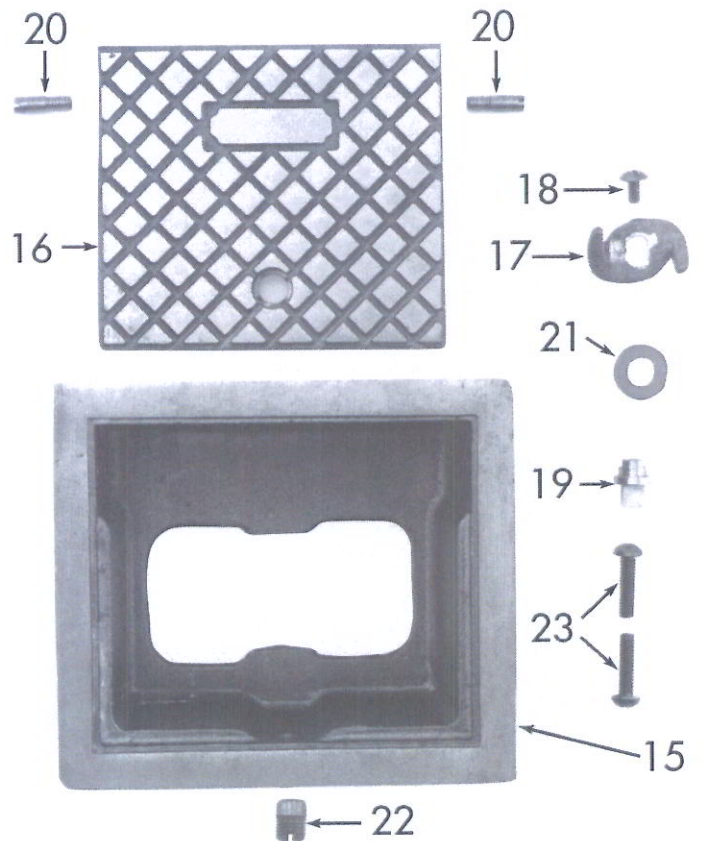
WADE 8600 Wall Hydrant (14"-24" Wall Thickness)

WADE 8600,175 Wall Hydrant w/Box (16"-26" Wall Thickness)

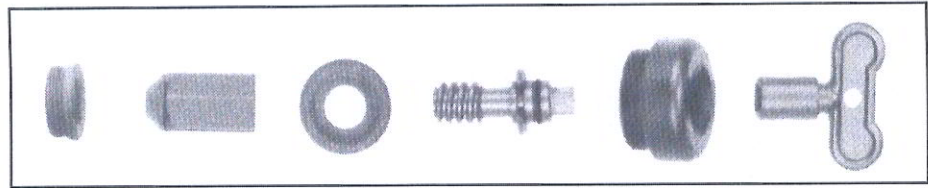
REPAIR KITS

Items	Description	UPC No. 670610
2,3,5,7,11	Hydrant,Rpr,Kit,WK03,Min	232766
1-5,7-11	Hydrant,Rpr,Kit,WK04,Maj	232773
17-22	Hydrant,Rpr,Kit,WK13,Box	362135
11	Hydrant,Kit,1ea,T-Handle	230731

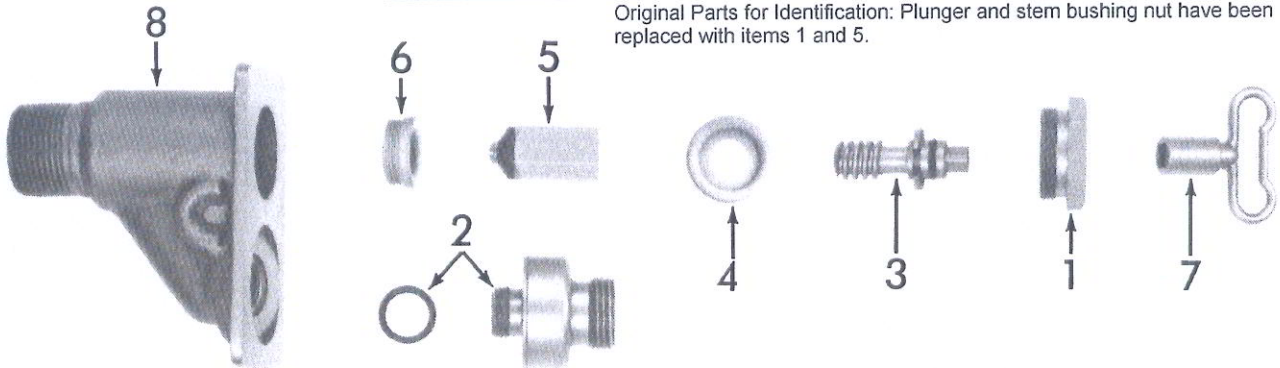
Item	Description	Material
1	Stem Bushing Nut	Brass
2	Drive Screw Assembly	Brass
3	Retainer Seal	Nylon
4	Drive Sleeve	Brass
5	O-Ring (Drive Sleeve)	Neoprene
6	Operating Rod (1/4" Dia.)	Stainless Steel
7	Cartridge Plunger Assembly	Neoprene
8	Hose Piece	Brass
9	Diverter Diaphragm	Silicone
10	Diverter Check Spider	Nylon
11	T-Handle	Zinc Die Cast
12	Head	Bronze
13	Casing	Bronze
14	Valve Body	Brass
15	Box	Bronze
16	Lid	Bronze
17	Latch Pawl	Bronze
18	Latch Screw	Brass
19	Latch Stem	Brass
20	Hinge Pins (2 Req'd)	Brass
21	Latch Washer (2 Req'd)	Nylon
22	Catch Screw	Brass
23	Securing Screws (2 Req'd)	Brass



WADE 8600,
MT Wall Hydrant
WADE 8600, MT,175
Wall Hydrant w/Box



Original Parts for Identification: Plunger and stem bushing nut have been replaced with items 1 and 5.



REPAIR KITS

Items	Description	UPC No. 670610
1,3,4,5,7...	Hydrant,Rpr,Kit,WK07,Maj,8630	362111
2.....	Hydrant,Rpr,Kit,WK08,VB	362128
12-17	Hydrant,Rpr,Kit,WK13,Box.....	362135
7	Hydrant,Kit,1ea,T-Handle	230731

Item	Description	Material
1 ...	Stem Bushing Nut.....	Brass
2 ...	Backflow Preventer w/ O-Ring.....	Brass/Neoprene
3 ...	Drive Screw Assembly	Brass
4 ...	Retainer Seal.....	Nylon
5 ...	Plunger w/ Renewable Washer ...	Brass/Neoprene
6 ...	Seat	Nylon
7 ...	T-Handle	Zinc Die Cast
8 ...	Head	Bronze
9 ...	Box.....	Bronze
10 ...	Lid.....	Bronze
11 ...	Securing Screws (2 Req'd)	Plated Steel
12 ...	Latch Pawl	Bronze
13 ...	Latch Stem.....	Brass
14 ...	Hinge Pin	Brass
15 ...	Catch Screw	Brass
16 ...	Latch Washer (2 Req'd)	Nylon
17 ...	Latch Screw	Brass

